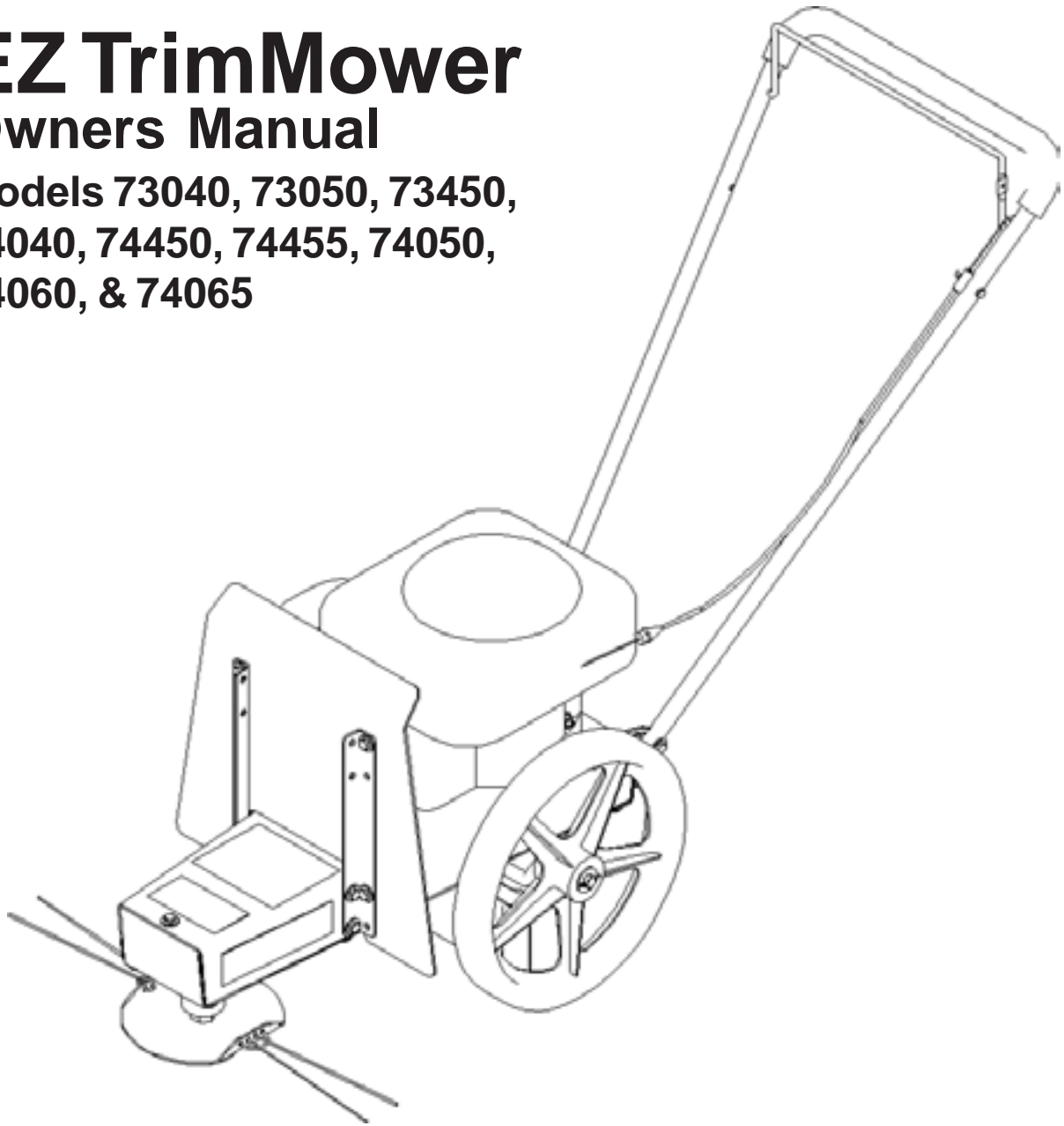




EZ TrimMower Owners Manual

Models 73040, 73050, 73450,
74040, 74450, 74455, 74050,
74060, & 74065



Crary Bear Cat
Box 849
West Fargo, ND 58078
800-247-7335
FAX: (701) 282-9522

Manufactured in the
United States of America
by Crary Company

Part No. 12331
Manual No. 598

Dear Bear Cat Customer,

Thank you for purchasing a Bear Cat EZ TrimMower. The EZ TrimMower is designed, tested, and manufactured to give years of dependable performance. To keep your machine operating at peak efficiency, it is necessary to correctly adjust it and make regular inspections. The following pages will assist you in the operation and maintenance of your machine. Please read and understand this manual before operating the EZ TrimMower.

If you have any questions or comments about this manual, please call us at 800-247-7335.

If you have any questions or problems with your machine, please call or write your local factory-authorized Bear Cat dealer.

Please Send Us Your Warranty Card

A warranty card is included in your owners kit packaged with your machine. Please take the time to fill in the information requested on the card. When you send your completed card to us, we will register your machine and start your coverage under our limited warranty.

Owner's Record

Please take a moment to record the following information about your new EZ TrimMower. If you need to call for assistance, please be ready to provide your model and serial numbers. This information will allow us (or your dealer) to help more quickly when you call.

Model Number

Serial Number

How to Contact Bear Cat
ADDRESS
Crary Bear Cat 237 NW 12th Street PO Box 849 West Fargo, ND 58078
PHONE
701-282-5520 FAX (701) 282-9522
EMAIL
opesales@crary.com service@crary.com
HOURS
M-F, 8 a.m. to 5 p.m. Central Time



Be alert! Your Safety is Involved.

This safety alert symbol identifies important safety messages in this manual. When you see this symbol, be alert to the possibility of personal injury and carefully read the message that follows.



Table of Contents

Safety Instructions 2

Assembly 3

Starting 5

Operation 7

Service and Maintenance 9

Troubleshooting 11

Warranty 12

Before You Begin:

When using your new **EZ TrimMower** please take the time and effort to do it the safe way. Follow all the safety instructions carefully, and make sure everyone involved in the assembly does the same.



Do not operate your Machine with any guards or shields removed!

A Service Tip

Follow the suggestions outlined in this manual. For adjustment, repair, or service not covered in this manual, contact your nearest authorized Bear Cat dealer. Your dealer is knowledgeable about your machine and has a direct line to the factory for assistance.

Torque Chart

Standard minimum tightening torque for normal assembly applications.

Bolts (SAE GR5)

Size	Ft. Lbs.
5/16"	20
3/8"	35
1/2"	75

Screws

Size	Ft. Lbs.
5/16" Set	15

NOTE: All references to left, right, front and rear of the machine are determined by standing behind the handlebars and facing the direction the machine is traveling.



Safety Instructions

1. Become familiar with the owners manual and engine manual before attempting to operate this equipment.
2. Carefully read all safety and operation decals before operating.
3. Do not allow children or unqualified individuals to operate this equipment.
4. Do not allow hands, or any part of body or clothing, near any moving part.
5. Do not operate this equipment in the vicinity of bystanders. Keep bystanders and pets at least 50 feet away from the area of operation.
6. Do not operate barefoot. Wear proper clothing to protect feet, legs and other exposed body parts.
7. Wear safety glasses at all times while operating the machine. One pair of safety glasses is provided.
8. Do not operate machine while under the influence of alcohol or medications. Do not use machine if tired or ill.
4. Always use an approved fuel container. Do not remove the gas cap or add fuel when engine is running. Add fuel to a cool engine only.
5. Do not fill fuel tank indoors. Keep open flames, sparks, smoking materials, and other sources of combustion away from fuel.
6. Before inspecting or servicing any part of the machine, shut off the engine, disconnect the spark plug, and make sure all moving parts have come to a complete stop.
7. Inspect area to be trimmed. Remove all foreign objects (stones, wire, bottles, and cans) before operating.

Operation

General Operation Safety

1. Wear work gloves, sturdy footwear, and ear and eye protection when operating this equipment.
2. Keep all guards and deflectors in place and in good working condition.
3. Before starting the machine, visually check that all screws, nuts, bolts, and other fasteners are properly secured. Once every ten hours of operation, all screws, nuts, bolts and other fasteners should be checked and tightened if necessary.
1. Never leave machine unattended when it is running.
2. Do not tamper with the engine governor settings on the machine; the governor controls the maximum safe operating speed and protects the engine and all moving parts from damage caused by dangerously high speeds.
3. If the cutting mechanism strikes any foreign object immediately shut off the engine and allow the machine to stop before removing object.
4. If the machine should start vibrating abnormally, stop the engine and correct the problem before restarting.
5. Carbon monoxide can be extremely dangerous in an enclosed area. The exhaust from the engine contains carbon monoxide, which is a colorless, odorless, and tasteless gas.
6. Do not transport or move machine when it is running.



Assembly Instructions



Caution: Remove spark plug wire from spark plug before assembling.

Assembly Requirements:

- Two (2) 1/2" wrenches

Assembly Steps:

1. Remove units and parts from shipping crate.
2. Stand handlebar upright. Secured the bottom of the handlebar by adding the handlebar clamp and inserting and tightening bolts to the bottom hole on the handle support channel. Refer to Figure 1.
3. Adjust the handlebar height. The handlebar height is set by choosing one of the available three holes on the handle support channel towards the bottom of the handlebar's lower portion.
4. Align the holes on the bottom portion of the handlebar with the selected holes on the handle support channel. Thread bolts through the holes with the bolt head facing out.

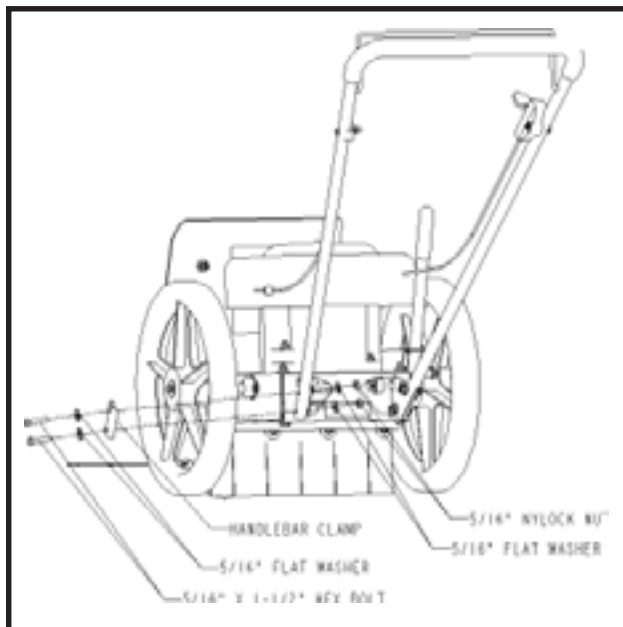


Figure 1

5. Tighten bolt by turning counterclockwise while holding the locknut stationary with the other wrench.

FILL ENGINE WITH OIL BEFORE STARTING

6. Add oil to the engine. Refer to the engine owners manual for recommended SAE 30 engine oil types and amounts. No special additives are used with recommended oil types; do not to mix with gasoline. Ensure the machine is level when adding oil. Oil capacity is approximately 20 oz.
7. Check oil level. Remove dipstick and wipe with clean cloth. Reinsert dipstick and tighten. Remove again to check oil level; oil should be at the Full mark. See Figure 2 for oil fill location.
8. Fill gas tank with fresh, clean, unleaded gasoline. Do not use fuel that contains Methanol or is mixed with oil. Ensure the machine is level when adding fuel. Refer to engine owners' manual for additional information.



Warning: Handle fuel with care. Use an approved container and fill outdoors. Do not add fuel to a running or hot engine. It is extremely flammable.

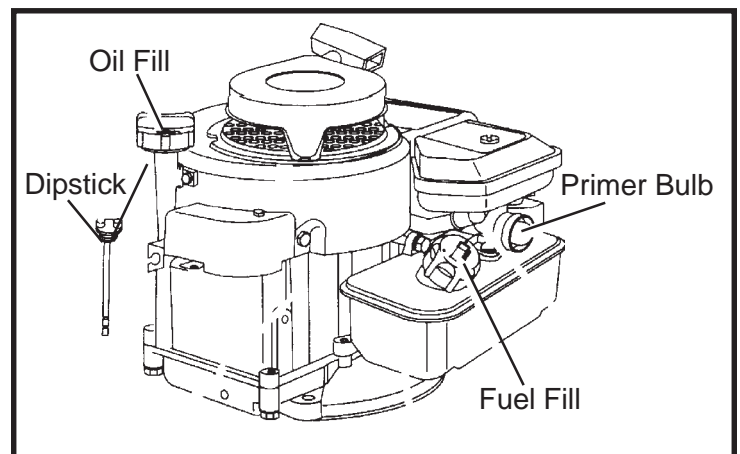


Figure 2
4HP Briggs & Stratton



Assembly Instructions-Cont.

9. Attach the shield. Thread bolts through holes in shield as shown in Figure 3.
10. Add washers and locknuts. Tighten bolts by turning the locknuts counterclockwise.

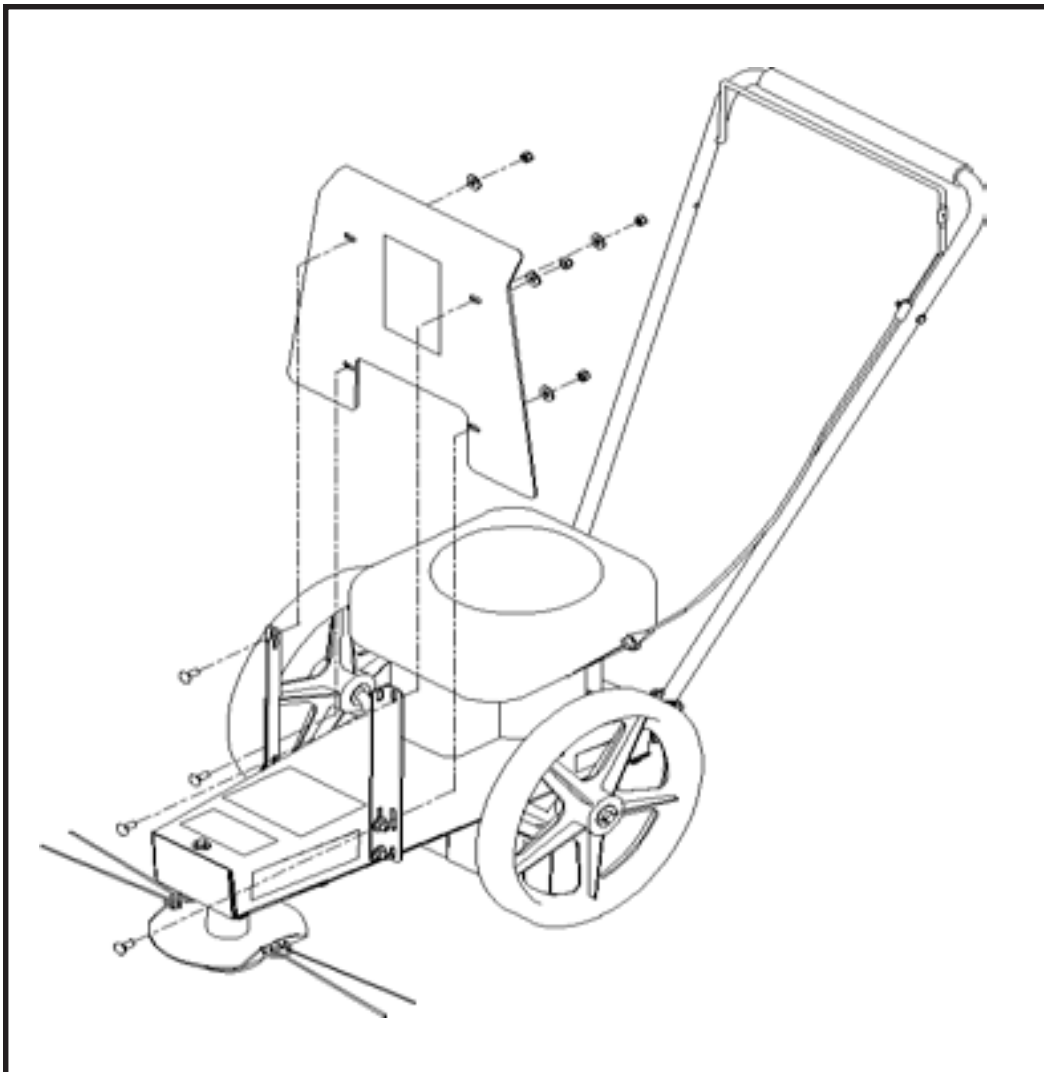


Figure 3



Engine Starting Instructions

Models 73040, 73050, 74040, & 74050

Read the safety instructions. Familiarize yourself with the safety instructions in this manual and the engine owners manual before starting the EZ TrimMower.

Fill engine with oil. Do not start before adding oil to the engine. See engine manual for the type and amount of oil to use. Machine should be level when filling.



Caution: Move machine to a clear, level area outdoors before starting. Do not operate in the vicinity of bystanders.

1. Check engine oil level and fill if necessary before each use. See engine manual for filling and maintenance instructions.

Note: some oil usage is normal. Check level before each use.



Warning: Handle fuel (gasoline) with care. It is highly flammable. Always use an approved container and fill tank outdoors. Never add fuel to a running or hot engine.

2. Fill fuel tank with fresh, clean unleaded gasoline. **DO NOT MIX OIL WITH GASOLINE.**

First time engine start

3. Move the throttle control to FAST (not applicable for Models 73040 & 73050). Refer to Figure 4.

4. Firmly push the primer bulb 5 times.

5. Pull trimmer bail back. Grasp the recoil starter cord handle and slowly pull until resistance is felt. After resistance is felt, pull the cord quickly to start the engine and prevent kickback. Repeat if necessary.

6. If engine does not start after 3 pulls, push the Primer Bulb 3 times, and repeat step 5.

After first time engine start

3. Move the throttle control to FAST (not applicable for Models 73040 & 73050). Refer to Figure 4.

4. Firmly push the Primer Bulb 3 times.

5. Pull trimmer bail back. Grasp the recoil starter cord handle and slowly pull until resistance is felt. After resistance is felt, pull the cord quickly to start the engine and prevent kickback. Repeat if necessary.

NOTE: When restarting a warm engine after a short shut down, it may not be necessary to prime. Refer to the engine owners manual for other starting tips.

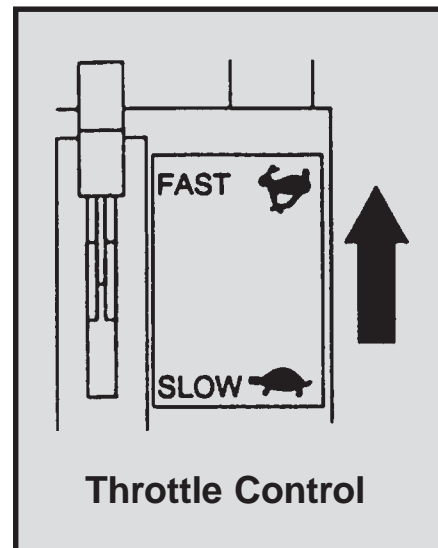


Figure 4

Continue to hold the bail after the engine is started. Releasing will stop the engine.



Engine Starting Instructions-Cont.

Model 73450

Read the safety instructions. Familiarize yourself with the safety instructions in this manual and the engine owners manual before starting the EZ TrimMower.

Fill engine with oil. Do not start before adding oil to the engine. See engine manual for the type and amount of oil to use. Machine should be level when filling.

Caution: Move machine to a clear, level area outdoors before starting. Do not operate in the vicinity of bystanders.

1. Check engine oil level and fill if necessary. See engine manual for filling and maintenance instructions.

Note: some oil usage is normal. Check level before each use.

Warning: Handle fuel (gasoline) with care. It is highly flammable. Always use an approved container and fill tank outdoors. Never add fuel to a running or hot engine.

2. Fill fuel tank with fresh, clean unleaded gasoline. DO NOT MIX OIL WITH GASOLINE.

Move engine fuel valve to ON position before starting. See engine manual complete instructions. See Figure 6.

3. Move the throttle control on the handlebar to the choke position. Refer to Figure 5.

The choke may not be needed if the air temperature or engine is warm. If so, move the throttle control slightly past the idle position Refer to the owners manual for other starting tips.

6. Pull the trimmer bail back.

Continue to hold the bail after the engine is started. Releasing will stop the engine.

7. Grasp the recoil starter cord handle and slowly pull until resistance is felt. After resistance is felt, pull the cord quickly to start the engine and prevent kickback. Repeat if necessary.
8. Move the throttle from choke to the fast (or high) position after the engine warms up enough to operate without the choke.

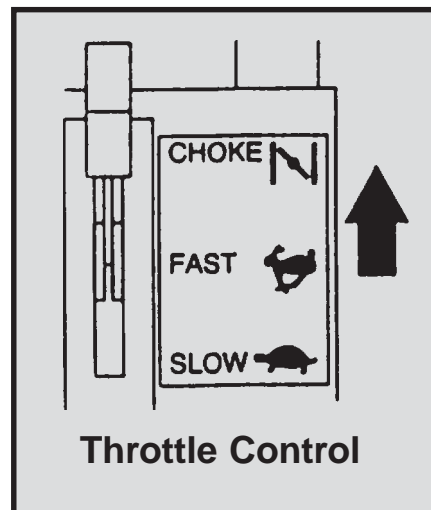


Figure 5

9. Move the throttle level to the desired engine speed setting for trimming.

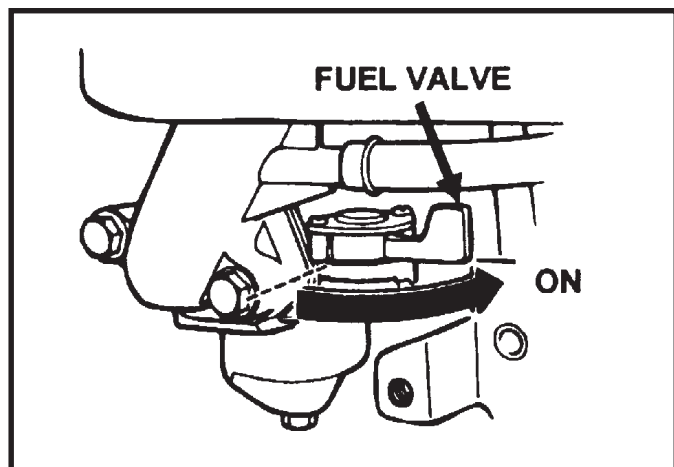


Figure 6



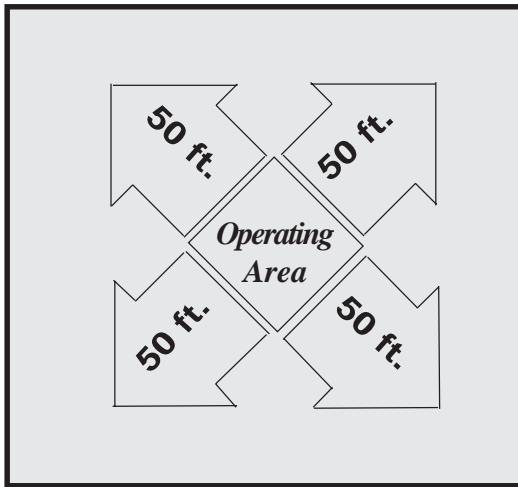
Operation



Wear safety glasses during operation. Wear proper clothing to protect feet, legs, and other exposed body parts.

Do not operate without all guards in place and in the vicinity of bystanders or personal property.

Warning: Hazardous Operations within 50 feet of unit



Use caution when operating near loose gravel or areas where loose debris may be encountered.

The intended use of the EZ TrimMower is trimming, mowing and edging. It can be used as a mower or trimmer and edger after mowing with a lawnmower.

To begin trimming, with the engine running, place the trimmer head on the ground and begin walking slowly. The wheels should remain grounded at all times to prevent undue pressure on the trimmer head. The cutting radius is dependent on the amount of cutting string used and type of application. For difficult conditions and edging, using less than the full cutting radius is recommended.

Model 73040/73050/73450 Trimming Adjustments

Trimming Adjustments are used to edge and trim in hard to reach places. To begin using trimming adjustments:

1. Loosen the right axle nut located directly behind the trimmer.
2. Lift the right wheel and pull back. The wheel and axle will rotate backwards due to a slot cut in the bottom of the trimmer frame.
3. Tighten the nut loosened in Step 1.
4. Push the trimmer slowly.
5. When finished using the offset feature, loosen the right axle nut again and lift the wheel and push forward.
6. Tighten the right axle bolt and resume regular trimming/mowing.

Model 74040/74050 Off Center Tilt Feature (OCT)

The OCT feature is used to edge and trim in hard to reach places. This feature enables both the trimmer head and body to tilt for close cutting. The degree of tilt is dependant on the setting selected on the tilt control grip located on the right side of the EZ TrimMower. For maximum tilt, move the tilt control grip to the setting closest to the front of the machine. Resume regular trimming/mowing by placing the tilt control grip back in the setting near the rear of the trimmer.



Operation-Cont.

All Models Cutting Height Adjustment

The EZ TrimMower standard cutting height is 2-3/4 inches. Figure 7 below depicts the trimmer head assembly when purchased and at the standard cutting height.

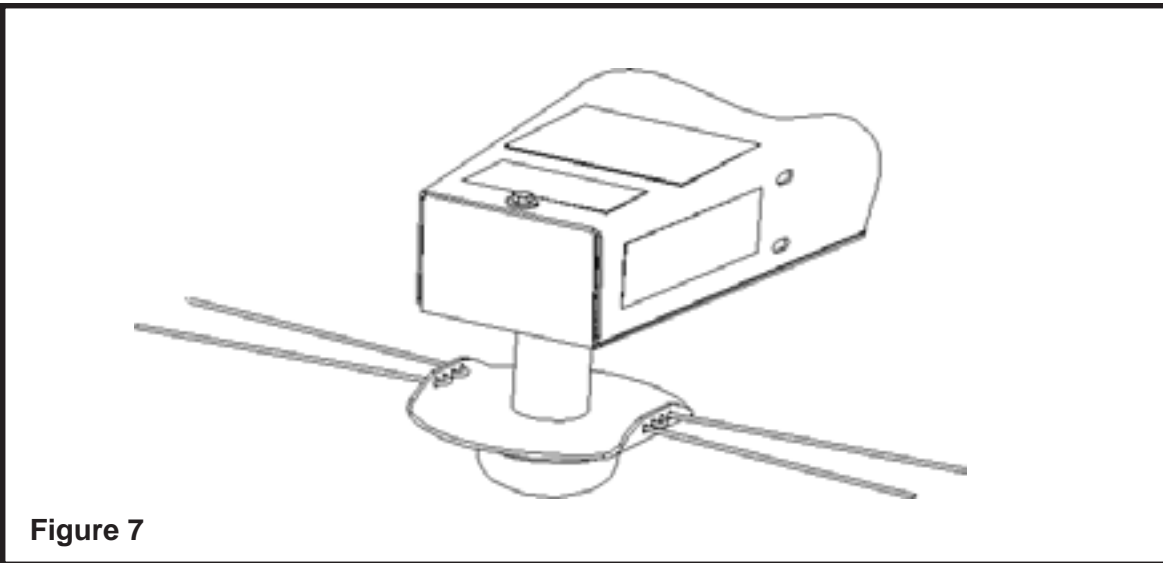


Figure 7

The cutting height can be adjust down approximately 3/4 inch by turning the trimmer head disk over as shown in Figure 8. The timmer head weldment is remove before the disk can be turned.

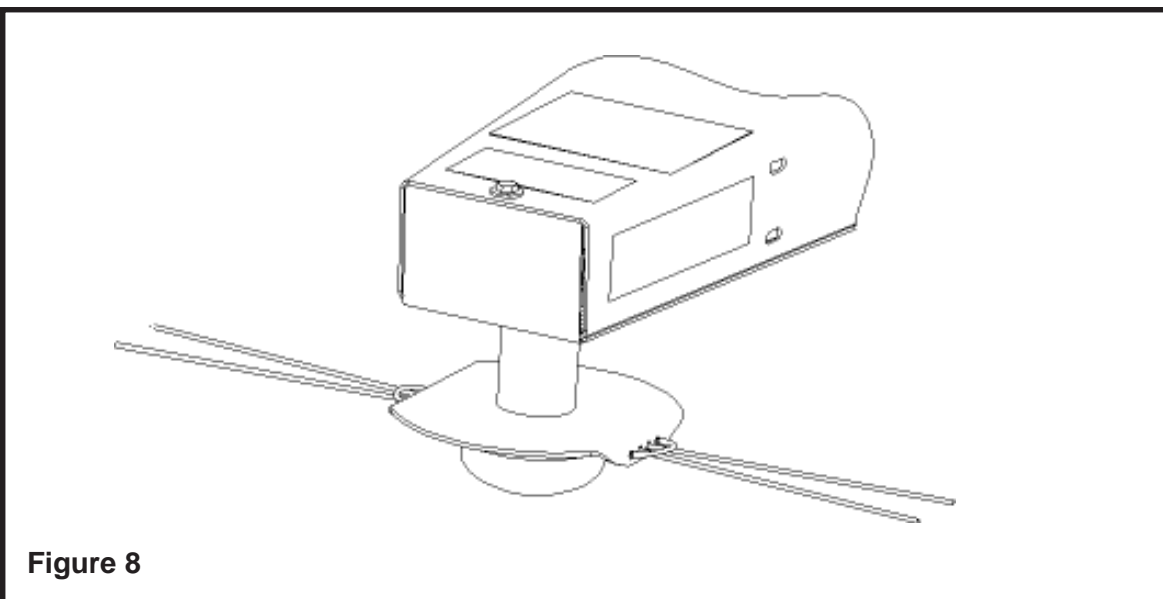


Figure 8



Service & Maintenance

Cutting String Replacement

Warning: Before inspecting or servicing any part of the machine, disconnect the spark plug wire from the spark plug and make sure all moving parts have come to a complete stop.

1. Feed the cutting string through the second hole on either end of the trimmer head leaving approximately 8 inches for the cutting surface. Total recommended string length is 20-1/2 inches.
2. Continue by weaving the cutting string through the first hole directly beside the second hole used in Step 1. Pull the cutting string tight.
3. Loop the cutting string back and feed through the first hole on the opposite end of the trimmer head.
4. Feed through the remaining second hole and pull the cutting string tight. The cutting strings in the middle two holes should be the same length. If the length differs, cut to an even length.

When completed, the trimmer head should resemble Figure 9.

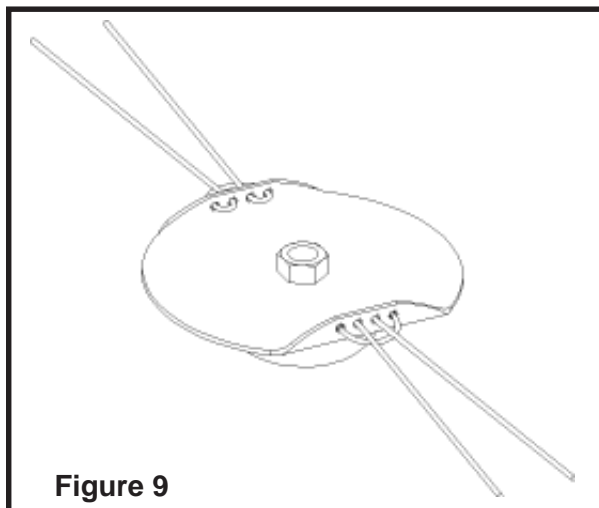


Figure 9

Cutting string is available in two thicknesses, .130 mil (standard) and .155 mil (heavy duty). The type of string selected is dependent on the conditions and material being cut. The cutting string can also be wrapped in a variety of ways. Refer to the figures below for two examples.

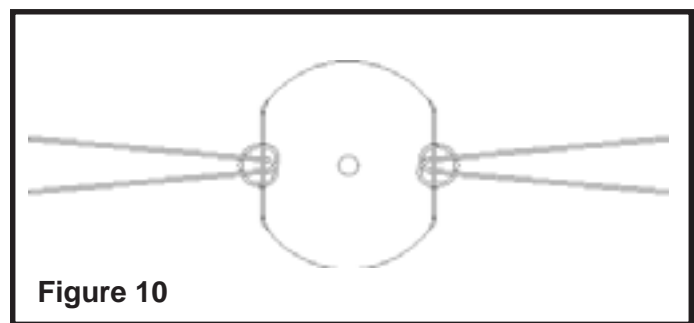


Figure 10

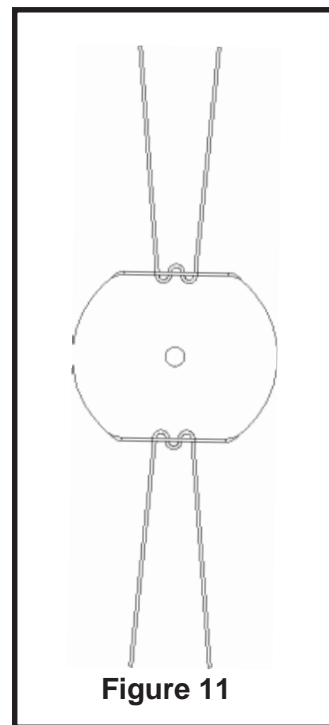


Figure 11

The wrapping method and cutting string thickness chosen is ultimately based on what is determined the best performers for the operator.



Service & Maintenance-Cont.

Drive Belt Checking and Replacement

Check the condition of the drive belt annually or after 30 hours of operation, whichever comes first. If the belts are cracked, frayed, or worn, replace them by following the steps below.

Belt Replacement Requirements:

- One (1) 1/2" wrench or one (1) 1/2" socket/ ratchet

Belt Replacement Steps:

1. Shut off the engine. Disconnect the spark plug wire.
2. Remove the front cover weldment. Requires loosening and removing three bolts.
3. Loosen the four bolts fastening the spindle hub to the trimmer bottom frame. This will allow the spindle hub with the attached trimmer pulley to move freely.
4. Remove the handle support channel (back cover with tabs to adjust the handlebar). Requires loosening and removing four bolts.
5. Loosen the two bolts attaching the flap to the trimmer bottom frame.
6. Remove worn or broken belt. If the belt is badly worn and will not be used again, cut for ease in removal.
7. Install new belt from the front to the back. Feed belt above the front trimmer pulley and below the rear pulley.
8. Move the spindle hub by inserting a screwdriver in the slot on the rear side of the spindle hub and applying pressure forward until belt is tight. Tighten bolts.

9. Replace front cover and secure with bolts.

10. Replace the handle support channel (back cover with handlebar adjustment tabs). The bolts should be secured with the bolt head beneath and the nuts and washer above the trimmer body.

Engine Maintenance

Maintenance is essential in preserving engine life. The engine should be cleaned periodically to remove grass and build-up. The engine owners manual addresses cleaning the air filter and changing the oil. Service engine according to the maintenance schedule in your engine owners manual.



Troubleshooting

Problem	Probable Cause	Suggested Remedies
1. Cutting strings do not turn.	<ul style="list-style-type: none"> a) Broken or damaged belts. b) Broken spindle. c) Failed bearings. 	<ul style="list-style-type: none"> a) Replace belts. b) Repair spindle. c) Repair bearings.
2. Cutting is slow or rough.	<ul style="list-style-type: none"> a) Cutting string too weak. b) Growth is too thick or heavy. 	<ul style="list-style-type: none"> a) Replace with heavier cutting string (155 mil). b) Reduce trimming area to 1/2 size or raise the trimmer head off the ground slightly to trim top portion of growth. Follow with trimmer head on the ground again.
3. Trimmer requires excessive power or stalls.	<ul style="list-style-type: none"> a) Cutting string too weak. b) Drive belts are loose or worn. c) Growth is too thick or heavy. 	<ul style="list-style-type: none"> a) Replace with heavier cutting string (155 mil). b) Replace drive belts. c) Reduce size of trimming area in half. Raise the trimmer head off the ground slightly to trim top portion of growth. Follow with trimmer head on the ground again.
4. Drive belts squealing or smoking.	<ul style="list-style-type: none"> a) Drive belts are loose or worn. 	<ul style="list-style-type: none"> a) Replace drive belts.
5. Engine won't start or is hard to start.	<ul style="list-style-type: none"> a) Gas tank is empty. b) Spark plug wire is disconnected. c) Spark plug is defective. d) Gas line is obstructed. (bail disconnected) e) Dirty, stale, water-contaminated gas. f) Flooded engine. g) Dirty or plugged air cleaner or engine cooling fins. 	<ul style="list-style-type: none"> a) Fill gas tank. b) Connect loose wire to spark plug. c) Replace spark plug. d) Remove gas line at carburetor and check for obstruction. Drain gas tank and refill with fresh, clean gasoline. e) Drain tank and fill with fresh, clean unleaded gasoline. f) Put throttle control in run position and crank engine several times to clear out excess gas. g) Clean air cleaner and replace. Clean cooling fins and shroud area of engine.

EZ TrimMower Limited Warranty

Crary Bear Cat EZ TrimMower models 73040, 73050, 73450, 74040 and 74050 are warranted for 90 days to rental and commercial users and two years to consumer users from date of sale.

Within the above stated period, Crary Co. will replace any part(s) found to be defective in material and/or workmanship, after the receipt of the part in our plant. Labor costs to replace these defective parts will be paid at a Crary established labor rate and time allowed (flat rate) for repair. All transportation charges incurred in shipping part(s) are the responsibility of the purchaser.

This warranty is void in the case of accidents, failure to perform normal maintenance, or failure to follow those instructions listed in the service manual. This warranty is also in lieu of all other expressed warranties and voids any implied warranty as to the merchantability or fitness of the product for a particular purpose and of any other obligation on the part of Crary Co. Some states do not allow limitations on how long the implied warranty lasts, so the above limitation may not apply to you.

This warranty applies only to parts or components which are defective, and does not cover necessary repair due to normal wear, misuse, accidents, or lack of proper maintenance. This includes belts and pulleys. Regular routine maintenance of the unit to keep it in proper operating condition is the responsibility of the owner.

All warranty repair reimbursable under the Crary Co. warranty must be performed by an authorized Bear Cat service dealer using Bear Cat approved replacement parts. Repair or attempted repair by anyone other than an authorized Bear Cat service dealer is not reimbursable under the Crary Co. warranty. In addition, these unauthorized repair attempts may result in additional malfunction, the correction of which is not covered by warranty.

Crary Co. is not liable for indirect, incidental, or consequential damages in connection with the use of this product including any cost or expense or providing substitute equipment or service during periods of malfunction or nonuse.

Some states do not allow the exclusion of incidental or consequential damages, so the above exclusion may not apply to you. This warranty gives you specific legal rights. You may also have other rights which vary from state to state.

Be sure to note the EZ TrimMower serial number in any correspondence with Crary Co. or any authorized Bear Cat dealer. The serial number is located on the back of the handle support channel.

HEALTH WARNING

GASOLINE, DIESEL, AND OTHER PETROLEUM PRODUCTS

Harmful or fatal if swallowed.

Long-term exposure to vapors has caused cancer in laboratory animals.

- Avoid prolonged breathing of vapors.
- Keep face away from nozzle and gas tank/container opening.
- Never siphon by mouth.

Failure to use caution may cause serious injury or illness.

WARNING

CHEMICALS KNOWN TO THE STATE OF CALIFORNIA TO CAUSE CANCER, BIRTH DEFECTS, OR OTHER REPRODUCTIVE HARM ARE FOUND IN GASOLINE, DIESEL, CRUDE OIL, AND MANY OTHER PETROLEUM PRODUCTS AND THEIR VAPORS, OR RESULT FROM THEIR USE.

READ AND FOLLOW LABEL DIRECTIONS AND USE CARE WHEN HANDLING OR USING ALL PETROLEUM PRODUCTS.

ENGINE EXHAUST FROM THIS PRODUCT CONTAINS CHEMICALS KNOWN TO THE STATE OF CALIFORNIA TO CAUSE CANCER, BIRTH DEFECTS, OR OTHER REPRODUCTIVE HARM.



Box 849

West Fargo, ND 58078

(701) 282-5520

FAX: (701) 282-9522

www.crary.com

[Gardening Supply](#)

<u>Patio Barbecues</u>	<u>Outdoor Barbecues</u>	<u>Landmann Barbecues</u>	<u>Gas Barbecues UK</u>
<u>Charcoal Barbecues</u>	<u>Gas Barbecues</u>	<u>Cheap Gas Barbecues</u>	<u>Masonry Barbecues</u>
<u>Brush Cutters</u>	<u>Brushcutters</u>	<u>Blower Vacs</u>	<u>Chain Saws</u>
<u>Chainsaws</u>	<u>Cultivators</u>	<u>Cylinder Lawn Mowers</u>	<u>Echo Chainsaws</u>
<u>Echo Strimmers</u>	<u>Electric Chainsaws</u>	<u>Fertiliser Spreaders</u>	<u>Garden Blowers</u>
<u>Garden Rollers</u>	<u>Lawn Rollers</u>	<u>Garden Shredders</u>	<u>Garden Tractors</u>
<u>Garden Vacuums</u>	<u>Hayter Lawn Mowers</u>	<u>Hedge Cutters</u>	<u>Hedgecutters</u>
<u>Hover Mowers</u>	<u>Husqvarna chainsaws</u>	<u>Kawasaki Brush Cutters</u>	<u>Kawasaki</u>
<u>Lawn Mowers</u>	<u>Scarifiers</u>	<u>Lawn Tractors</u>	<u>Strimmers</u>
<u>Leaf Vacuums</u>	<u>Petrol Chainsaws</u>	<u>Petrol Hedge Cutters</u>	<u>Leaf Blowers</u>
<u>Ride on mowers</u>	<u>Rotary Mowers</u>	<u>Rotavators</u>	<u>Ride on lawn</u>
<u>Electric Garden</u>	<u>Petrol Garden</u>	<u>ALKO Garden Shredders</u>	<u>mowers</u>
<u>Shredders</u>	<u>shredders</u>	<u>Gas Patio Heaters</u>	<u>Ryobi Strimmers</u>
<u>Garden Patio Heaters</u>	<u>Outdoor Patio Heaters</u>	<u>Greenhouse Heaters</u>	<u>Cheap Garden</u>
<u>Patio Heater Covers</u>	<u>Garden Heaters</u>	<u>Table Top Patio Heaters</u>	<u>Shredders</u>
<u>Gas Greenhouse</u>	<u>Stainless Steel Patio</u>	<u>Kawasaki brushcutters</u>	<u>Patio Heaters</u>
<u>heaters</u>	<u>Heaters</u>	<u>Midgeater Plus</u>	<u>Green house</u>
<u>Grit Spreaders</u>	<u>Gardena Hedgecutters</u>		<u>heaters</u>
<u>Patio Heaters with</u>	<u>Christmas Gardening</u>		<u>Patio Heaters UK</u>
<u>Covers</u>	<u>Gifts</u>		<u>Petrol Strimmers</u>
<u>Cylinder Mowers</u>			<u>Barbecues</u>