

**CRARY**

---

**BEAR CAT**

---



Parts Lists and Assembly  
Diagrams for 5" Chippers Models  
74520 & 74554



Part #12665  
Companion to #12666  
599

## Dear Bear Cat Customer,

Thank you for purchasing a Crary Bear Cat Chipper. The Bear Cat Chipper is designed, tested, and manufactured to give years of dependable performance. To keep your chipper operating at peak efficiency, it is necessary to adjust it correctly and make regular inspections.

If you have any questions or comments about this manual, please call us toll-free at 1-800-247-7335.

If you have any questions or problems with your chipper, please call or write your local factory-authorized Bear Cat dealer.

## Please Send Us Your Warranty Card

A warranty card is included in your owner's kit packaged with your chipper. Please take the time to fill in the information requested on the card. When you send your completed card to us, we will register your machine and start your coverage under our limited warranty.

### Owner's Record

Please take a moment to record the following information about your chipper. If you need to call for assistance, please be ready to provide your model and serial numbers. This information will allow us (or your dealer) to help you more quickly when you call.

#### Model Number

#### Serial Number

## How to Contact Bear Cat

### ADDRESS

#### Crary Bear Cat

237 NW 12th Street  
PO Box 849  
West Fargo, ND 58078

### PHONE

800-247-7335

701-282-5520

Fax: 701-282-9522

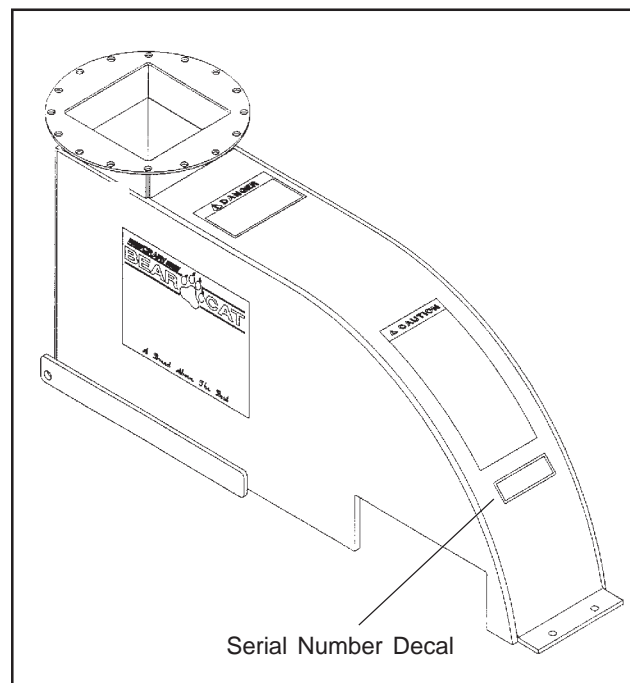
### EMAIL

opesales@crary.com  
service@crary.com

### HOURS

M-F, 8 a.m. to 5 p.m.  
Central Time

## Serial Number Decal Location





# Table Of Contents

---

Safety Decals .....	4
Model 74520 (20hp Honda Towable)	
Parts Assembly Diagram .....	6
Parts List .....	7
Chipper Assembly Diagram and Parts List .....	9
Model 74554 (PTO Driven)	
Parts Assembly Diagram .....	10
Parts List .....	11
Chipper Assembly Diagram and Parts List .....	12
Hitch Assembly Diagram & Parts List .....	13
Model 74520 & 74554 Common Parts	
Chute Assembly Diagram .....	14
Chute Assembly Parts List .....	15
Discharge Assembly Diagram & Parts List .....	16
Service Accessories .....	17
Replacement & Maintenance Chart .....	17
Warranty	





*Safety Decals*

*Safety and instruction decals are located on the chipper frame and engine. Replace any decal that is damaged or unreadable.*

*Call dealer for information on decals in Spanish, French, or other languages. For location of safety decals on the chipper frame, see parts drawings and lists.*

*NOTE: For engine safety and instruction decals, see engine owner's manual or contact the engine manufacturer.*

**CAUTION**

- 1) Become familiar with the Owners Manual before attempting to operate this equipment.
- 2) Do not allow children to operate this equipment. Do not operate this equipment in the vicinity of bystanders.
- 3) Carbon Monoxide can be extremely dangerous in enclosed areas; do not run the machine in an enclosed area since the exhaust from the engine contains carbon monoxide.
- 4) Do not allow hands or any other part of the body or clothing inside the feeding chamber, discharge chute, or near any moving part.
- 5) Before inspecting or servicing any part of the machine, shut off power source, disconnect the spark plug wire from the spark plug and make sure all moving parts have come to a complete stop.
- 6) Do not transport this machine while the engine is running.
- 7) Avoid wearing loose-fitting clothing.
- 8) Operate the machine only on a level surface. Keep proper balance and footing at all times. Do not operate machine on a paved or gravel surface.
- 9) Before starting the machine, check that all screws, nuts, bolts and other fasteners are properly secured; make certain that the cutting chamber is empty. Do not operate without guards or screens in place.
- 10) When feeding shreddable material into the equipment, be extremely careful that pieces of metal, rocks, bottles, cans or other foreign objects are not included.
- 11) Obtain and wear safety glasses at all times while operating machine.
- 12) If the cutting mechanism strikes any foreign object, or if the machine should start making any unusual noise or vibration, immediately shut off the engine and allow the machine to stop. Disconnect the spark plug wire from the spark plug and take the following steps:
  - 1) Inspect for damage.
  - 2) Replace or repair any damaged parts.
  - 3) Check for and tighten any loose parts.
- 13) Keep the engine clean of debris and other accumulations. Do not tamper with engine governor settings.
- 14) Do not allow processed material to build up in the discharge area; this may prevent proper discharge and can result in kickback of material through the discharge opening.
- 15) Keep all guards and deflectors in place and in good working condition. Replace any damaged decals.
- 16) Always stand clear of the discharge area when operating this machine. Keep face and body back from the feed opening.
- 17) If the machine becomes clogged, shut off the engine (or motor), disconnect the spark plug wire and allow machine to come to a complete stop before cleaning debris.

For more information on this product, contact your local dealer or write to: P.O. Box 14, West Fargo, ND 58078.

PN 17846

PN 17846

**WARNING**

**KNIFE ACCESS COVER  
DO NOT REMOVE COVER UNLESS  
MACHINE IS STOPPED AND SPARK  
PLUG WIRE OR DRIVE SHAFT IS  
DISCONNECTED. USE ACCESS  
FOR KNIFE INSPECTION OR  
REPLACEMENT ONLY. DO NOT  
OPERATE MACHINE WITH  
ACCESS COVER REMOVED**

PN 16085

PN 16085

**WARNING**

**CHECK BOLTS DAILY**  
CHECK CHIPPER BLADE, ANVIL AND  
FEED ROLLER BOLTS FOR PROPER  
TORQUE AFTER EVERY 10 HOURS OF  
OPERATION. REFER TO OWNERS  
MANUAL FOR INSTRUCTIONS. FAILURE  
TO DO SO MAY CAUSE DAMAGE OR  
PERSONAL INJURY AND WILL VOID  
MACHINE WARRANTY.

PN 12010

PN 12010

**DANGER**

**SHIELD HAS BEEN  
REMOVED.  
DO NOT OPERATE  
WITHOUT SHIELD IN  
PLACE. SERIOUS  
INJURY OR DEATH  
MAY OCCUR.**

PART NO 17423

PN 17423



<b>! WARNING</b>	
  	<p style="text-align: center;"><b>CHIPPER CLUTCH</b></p> <p>PUSH PEDAL DOWN WITH FOOT TO DISENGAGE CHIPPER WHILE STARTING ENGINE. RELEASE PEDAL SLOWLY WITH ENGINE RUNNING TO ENGAGE CHIPPER. STOP ENGINE AND ALLOW CHIPPER TO COME TO A COMPLETE STOP BEFORE ADJUSTING OR CLEANING DEBRIS. DO NOT OPERATE WITHOUT ROTOR COVER, CHIPPER CHUTE, DISCHARGE TUBE AND ALL GUARDS IN PLACE.</p> <p style="text-align: right;"><small>PN 16551</small></p>

PN 16551

<b>! DANGER</b>	
	<p style="text-align: center;"><b>ROTATING CUTTING BLADES</b></p> <p>KEEP HANDS AND FEET OUT OF INLET AND DISCHARGE OPENINGS WHILE MACHINE IS OPERATING TO AVOID SERIOUS PERSONAL INJURY. STOP ENGINE, REMOVE SPARK PLUG WIRE AND ALLOW MACHINE TO COME TO A COMPLETE STOP BEFORE CLEARING OBSTRUCTIONS OR MAKING ADJUSTMENTS.</p> <p style="text-align: right;"><small>PN 17837</small></p>

PN 17837

<b>! DANGER</b>	
<p><b>FLYING DEBRIS FROM CHIPPER</b></p> <p>KEEP CLEAR OF DISCHARGE AT ALL TIMES. POINT DISCHARGE AT AREAS FREE OF BYSTANDERS OR ANYTHING THAT COULD BE DAMAGED BY FLYING DEBRIS. DO NOT CLEAN OR ADJUST MACHINE UNLESS ENGINE AND ROTOR HAVE COME TO A COMPLETE STOP. DO NOT OPERATE WITHOUT ALL GUARDS IN PLACE.</p> <p style="text-align: right;"><small>PN 16558</small></p>	

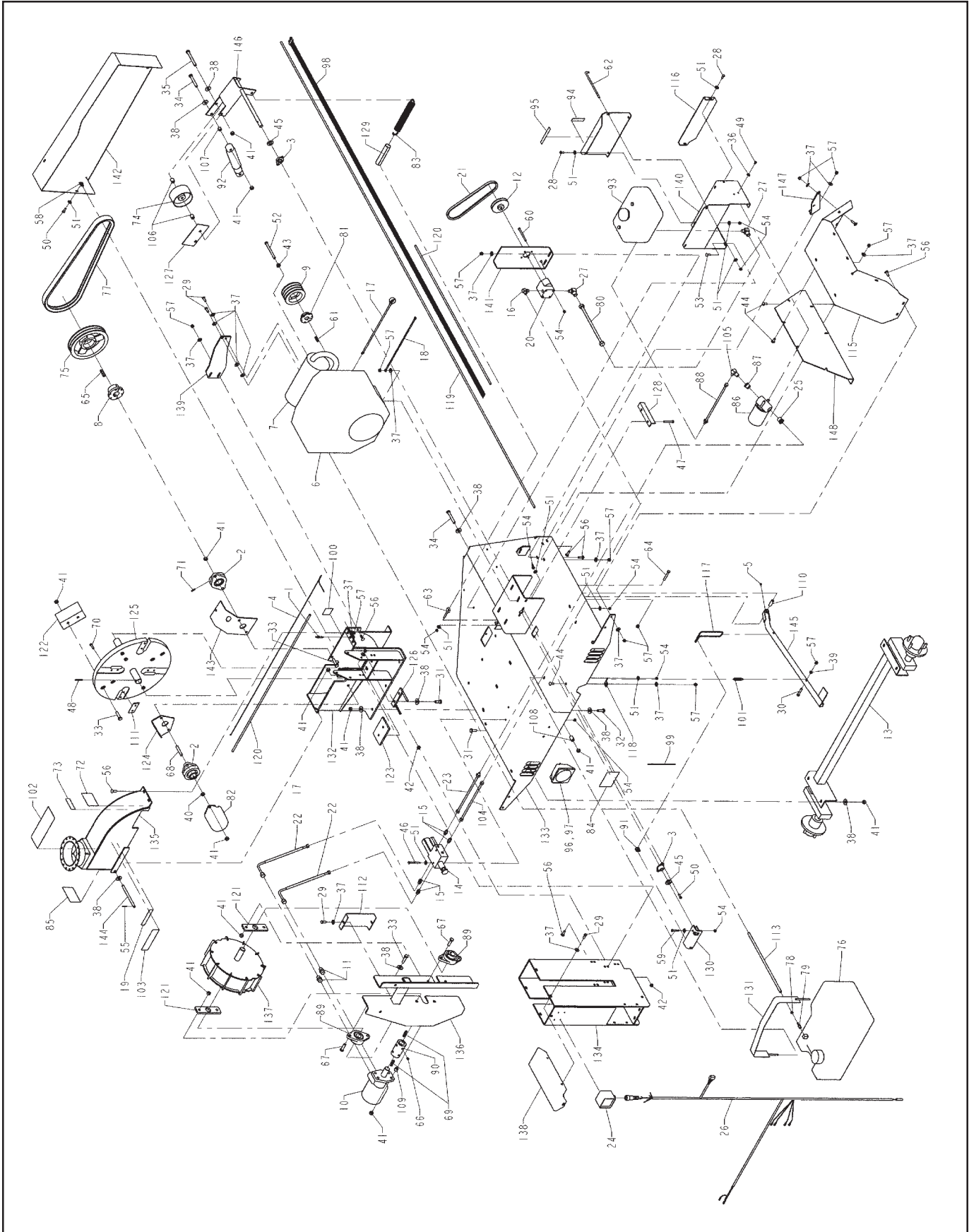
PN 16558

	<p style="text-align: center;"><b>! DANGER</b></p> <p>ENTANGLEMENT IN ROTATING DRIVELINE CAN CAUSE SERIOUS INJURY OR DEATH. KEEP HANDS, FEET AND BODY AWAY. DO NOT OPERATE MACHINE WITHOUT SHIELDS, GUARDS AND SCREEN IN PLACE. DO NOT OPERATE MACHINE AT PTO SPEEDS OVER 540 RPM.</p> <p style="text-align: right;"><small>PN 16033</small></p>
---	--

PN 16033



# Model 74520 Parts Assembly Diagram





## Model 74520 Parts List

Ref.	Part #	Description	Qty	Ref.	Part #	Description	Qty
1.	12014	Switch, Engine Kill	1	53.	15301	Bolt, 5/16" x 1" Crg.	4
2.	12117	Bearing, 1-1/2" 2-Bolt Flange	2	54.	15356	Nut, 5/16" Nylock	22
3.	12132	Bearing, 3/4" Flange	2	55.	15375	Pin, 1/8" x 1" Cotter	2
4.	12188	Wire, Engine Kill	1	56.	15378	Bolt, 3/8" x 1-1/4" Crg.	24
5.	12275	Zerk, 1/4" Grease	1	57.	15388	Nut, 3/8" Nylock	43
6.	12360	GX620QXA Engine, 20 HP Honda	1	58.	15402	Nut, 5/16" x 18" Timmerman	1
7.	12361	Muffler, 20 HP Honda	1	59.	15403	Bolt, 5/16" x 1-3/4" Hex	1
8.	12441	Bushing, 1-1/2" SK	1	60.	15417	Bolt, 5/16" x 4" Hex HD	4
9.	12449	Sheave, 384.8 SD	1	61.	15418	Key, 1/4" x 1-1/2" Sq	1
10.	12558	Motor, 33 cu in Hydraulic	1	62.	15419	Bolt, 5/16" Battery	2
11.	12626	Adapter, -10 M O-Ring x -8 MJIC	2	63.	15429	Bolt, 5/16" x 2" Eye	1
12.	12639	Pulley, 4-1/4" x 7/16" A	1	64.	15437	Bolt, 3/8" x 2-3/4" Hex HD	1
13.	12640	Axle, 2000 lb	1	65.	15440	Key, 3/8" x 2.0 Sq.	1
14.	12646	Valve, Hydraulic Control	1	66.	15461	Screw, 3/8" x 1/2" Set	4
15.	12647	Adapter, -6 M O-Ring x -6 MJIC	4	67.	15478	Bolt, 1/2" x 1-3/4" Hex HD	4
16.	12651	Adapter, -6MNPT x -6 MJIC 90	1	68.	15481	Stud, 1/2" x 3" Threaded	2
17.	12655	Cable, Positive Battery	1	69.	15498	Key, 5/16" x 1-3/4" Sq.	2
18.	12656	Cable, Negative Battery	1	70.	15565	Bolt, 5/16" x 1-1/4" Gr 8	8
19.	12657	Decal, Model 74520	1	71.	15608	Screw, 1/4" x 1" Skt HD	1
20.	12659	Pump, Hydraulic Feed	1	72.	16085	Decal, Knife Access	1
21.	12660	Belt, 4L350	1	73.		Decal, Serial Number	1
22.	12663	Hose Assy, -8 FMJ/ -6FMJ x 32	2	74.	16230	Pulley, 5.0 x 2.5 In Idler	1
23.	12664	Hose Assy, -6FMJ/ -6MNPT x 42	1	75.	16323	Sheave, 2B9.4 SK	1
24.	12674	Control LOFA (Speed)	1	76.	16328	Tank, 6.6 gal.	1
25.	12687	Reducer Bushing, 3/4" x 3/8"	1	77.	16347	Belt, 2B70 Banded	1
26.	12688	Harness Assy Hyd Feed	1	78.	16378	Clamp, 5/32 Spring	2
27.	12689	Adapter, -6MNPT/-10 MJIC 90	2	79.	16379	Fitting, 1/4 MNPT x 1/4 Hose	1
28.	15003	Bolt, 5/16" x 3/4" Hex HD	4	80.	16423	Hose Assy., -10FMJ/-10FMJ x 36	1
29.	15006	Bolt, 3/8" x 1" Hex HD	9	81.	16458	Bushing 1.0 SDS	1
30.	15008	Bolt, 3/8" x 2" Hex HD	1	82.	16460	Cap, Large Shaft	1
31.	15013	Bolt, 1/2" x 1-1/4" Hex HD	6	83.	16502	Spring, Blower Drive	1
32.	15014	Bolt, 1/2" x 1-1/2" Hex HD	6	84.	16551	Decal, Chipper Clutch	1
33.	15015	Bolt, 1/2" x 2" Hex HD	14	85.	16558	Decal, Flying Debris	1
34.	15016	Bolt, 1/2" x 3-1/2" Hex HD	2	86.	16588	Filter, Spin On	1
35.	15017	Bolt, 1/2" x 4-1/2" Hex HD	1	87.	16629	Reducer Bushing, 3/4" x 1/2"	1
36.	15030	Washer, 1/4" Flat	2	88.	16631	Hose Assy., -6MJ/-6MNPT x 20	1
37.	15031	Washer, 3/8" Flat	52	89.	16682	Bearing, 1-1/4" 2 Bolt Flange	2
38.	15034	Washer, 1/2" Flat	27	90.	16683	Coupler, 1-1/4" Shaft	1
39.	15042	Nut, 3/8"	1	91.	16782	Clamp, 3/16" Cable	1
40.	15043	Nut, 1/2"	2	92.	16786	Absorber, Idler Shock	1
41.	15049	Nut, 1/2" Centerlock	35	93.	16878	Tank, Oil Reservoir	1
42.	15051	Nut, 3/8" Serr Flng	4	94.	16882	Decal, Oil Level	1
43.	15052	Nut, 7/16" Serr Flng	1	95.	16897	Decal, Hydraulic Fluid	1
44.	15057	Bolt, 3/8" x 1" Crg.	13	96.	16903	Light, LH Tail	1
45.	15098	Washer, 3/4" SAE Flat	2	97.	16904	Light, RH Tail	1
46.	15103	Bolt, 5/16" x 3" Hex HD	2	98.	16905	Harness, Trailer Light	1
47.	15116	Bolt, 3/8" x 2-1/2" Hex HD	4	99.	17320	Strap, Nylon Tie	5
48.	15137	Pin, 1/4" x 2" Spring	1	100.	17423	Decal, Shield Danger	1
49.	15179	Bolt, 1/4" x 1/2" HCS G5 ZP	2	101.	17520	Spring, Blower Drive	1
50.	15219	Bolt, 5/16" x 1" Hex HD	7	102.	17846	Decal, Caution	1
51.	15250	Washer, 5/16" Flat	25	103.	17913	Decal, Small Bear Cat	2
52.	15273	Bolt, 7/16" x 5" Hex HD	1	104.	41271	Hose Assy, -6FMJ/-6FMJ x 43	1



## Model 74520 Parts List

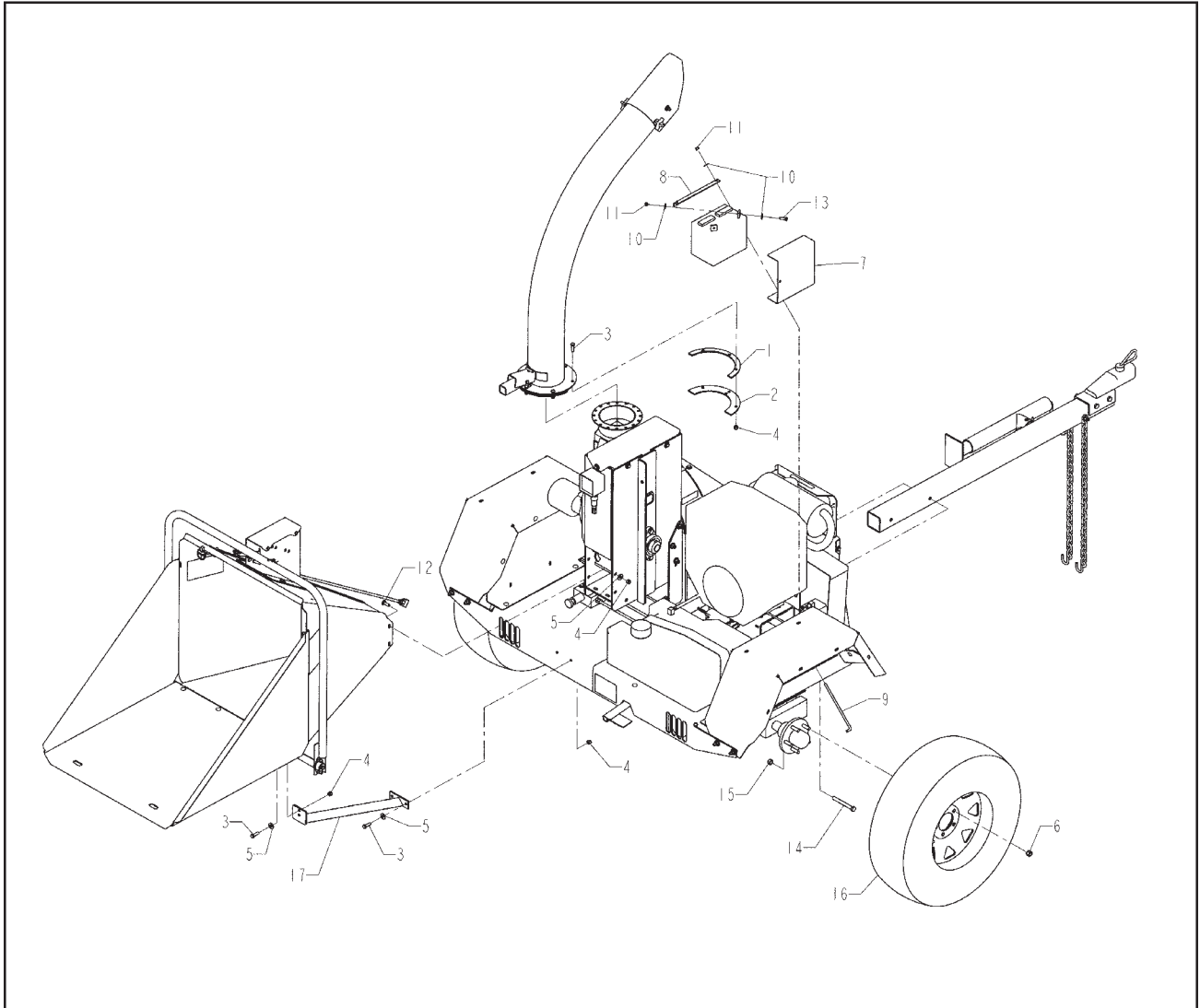
---

<u>Ref.</u>	<u>Part #</u>	<u>Description</u>	<u>Qty</u>
105.	41290	Adapter, -10MNPT/ -6MJIC 90 dg.	1
106.	70290	Spacer, .75 x .90 IN.	2
107.	70367	Short Spacer	1
108.	70369	Medium Spacer	1
109.	70534	Spacer, .75 x .62	4
110.	70694	Spacer, .63 x 1.63	1
111.	72493	Kit, Chipper Blade	1
112.	71335	Shield, Coupler	1
113.	71379	Hose, Fuel Line	1
114.	71486	Plate, Reservoir Retainer	1
115.	71534	Fender, Heavy Duty	2
116.	71551	Cover, Reservoir Base	1
117.	71632	Cable, 3/16 x 24-1/2	1
118.	71633	Angle, Spring Anchor	1
119.	71707	Cover, Harness	1
120.	71708	Guard, 1/4" x 47" Wire	2
121.	71964	Bearing, Roller Slide	2
122.	72411	Paddle, Big Chipper	4
123.	72420	Anvil, 4" Chipper	1
124.	72433-12	Plate, Bearing Mount	1
125.	72444	Wldt., Chipper Disk	1
126.	72446-12	Wldt., Block Adjustor	1
127.	72491-12	Strip, Pulley Guard	1
128.	72492-12	Angle, Engine Adjustment	2
129.	72517	Cover, Idler Spring	1
130.	72787-12	Wldt., Clutch Arm	1
131.	72794-12	Wldt., Tank Strap	1
132.	73076	Assy, Chipper Bottom (incl. #100)	1
133.	73077	Assy, Chipper Trailer (incl. #84)	1
134.	72889-35	Wldt., Roller Support	1
135.	73078	Assy., Top Chipper(incl. #72,85,102)	1
136.	72907-12	Wldt., Roller Slide	1
137.	72911-12	Wldt., Top Grab Roller	1
138.	72915-35	Wldt., Top Roller Cover	1
139.	72943-12	Strip, Engine Tie	1
140.	72952-12	Wldt., Reservoir Support	1
141.	72956-12	Wldt., Pump Mount	1
142.	72962-12	Wldt., Chipper Belt Guard	1
143.	72969-12	Wldt., Guard Support	1
144.	72974	Shaft, Chipper Top Pivot	1
145.	72976-12	Wldt., Clutch Pedal	1
146.	72978-12	Wldt., Idler Arm	1
147.	73011-12	Strip, Fender Support	2
148.	73039-12	Liner, Fender	2



# Model 74520 Parts Lists-Cont.

## Chipper Assembly Diagram

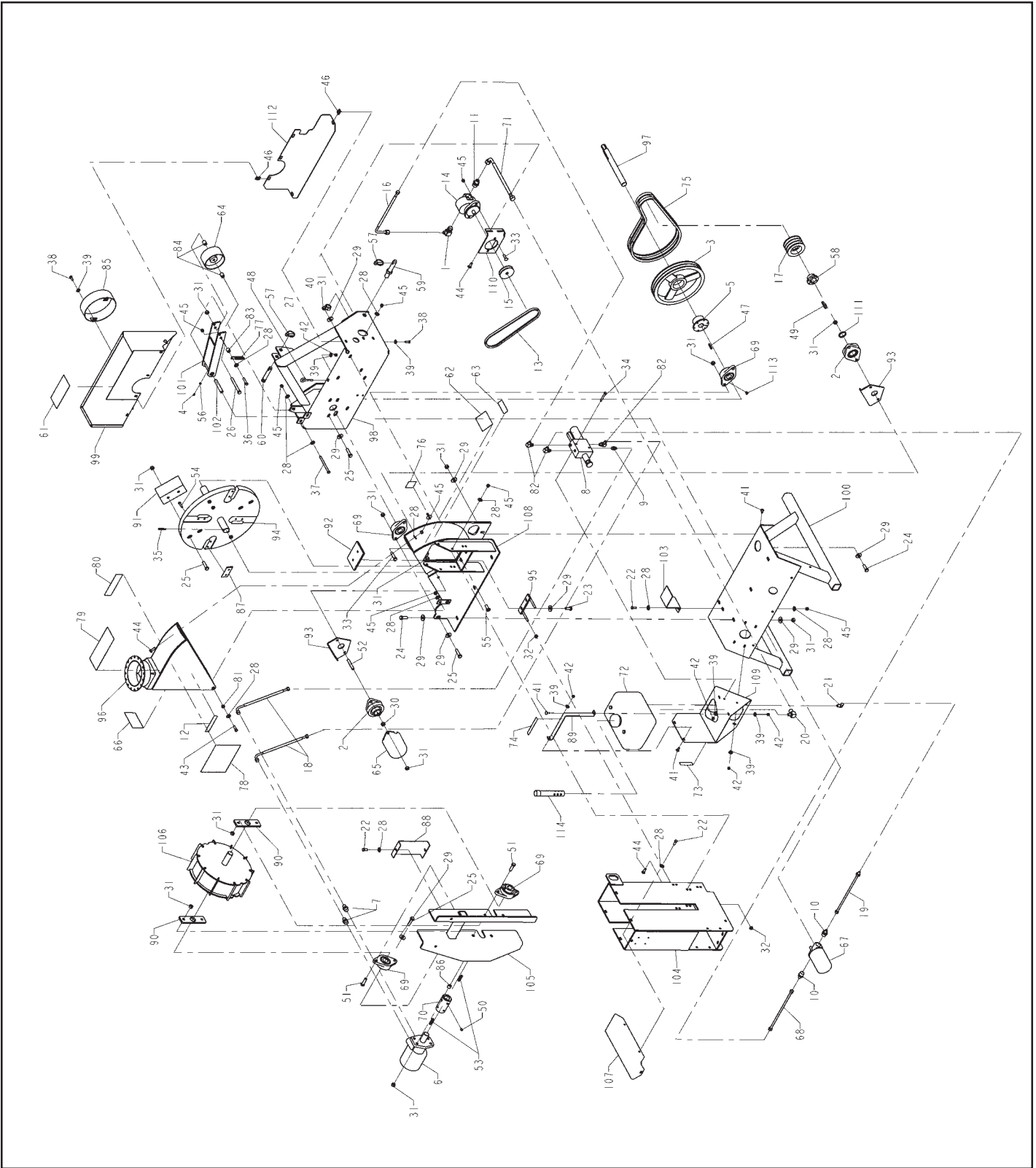


### Chipper Assembly Parts List

<u>Ref.</u>	<u>Part #</u>	<u>Description</u>	<u>Qty</u>
1.	72452-12	Spacer, Discharge Pivot	1
2.	72453-12	Ring, Discharge Clamp	1
3.	15364	Bolt, 3/8" x 1-1/4" HHCS GR5	6
4.	15388	Nut, 3/8" Nyl Insert	12
5.	15031	Washer, 3/8" Flat ZP	9
6.	15527	Nut, 1/2-20 Wheel	10
7.	72790-12	Cover, Battery	1
8.	70144	Angle, Battery Hold Down	1
9.	15419	Bolt, Battery 5/16" x 8-3/4"	2
10.	15250	Washer, 5/16" Flat ZP	6
11.	15356	Locknut, 5/16" NYL	4
12.	15378	Bolt, 3/8" x 1-1/4" Crg	6
13.	15219	Bolt, 5/16" x 1" GR5	2
14.	15017	Bolt, 1/2" x 4-1/2" GR5	2
15.	15049	Bolt, 1/2" Center Locknut	2
16.	12125	Assy., Tire & Wheel	2
17.	72966-12	Wldt., Chute Support	1



# Model 74554 Parts Assembly Diagram





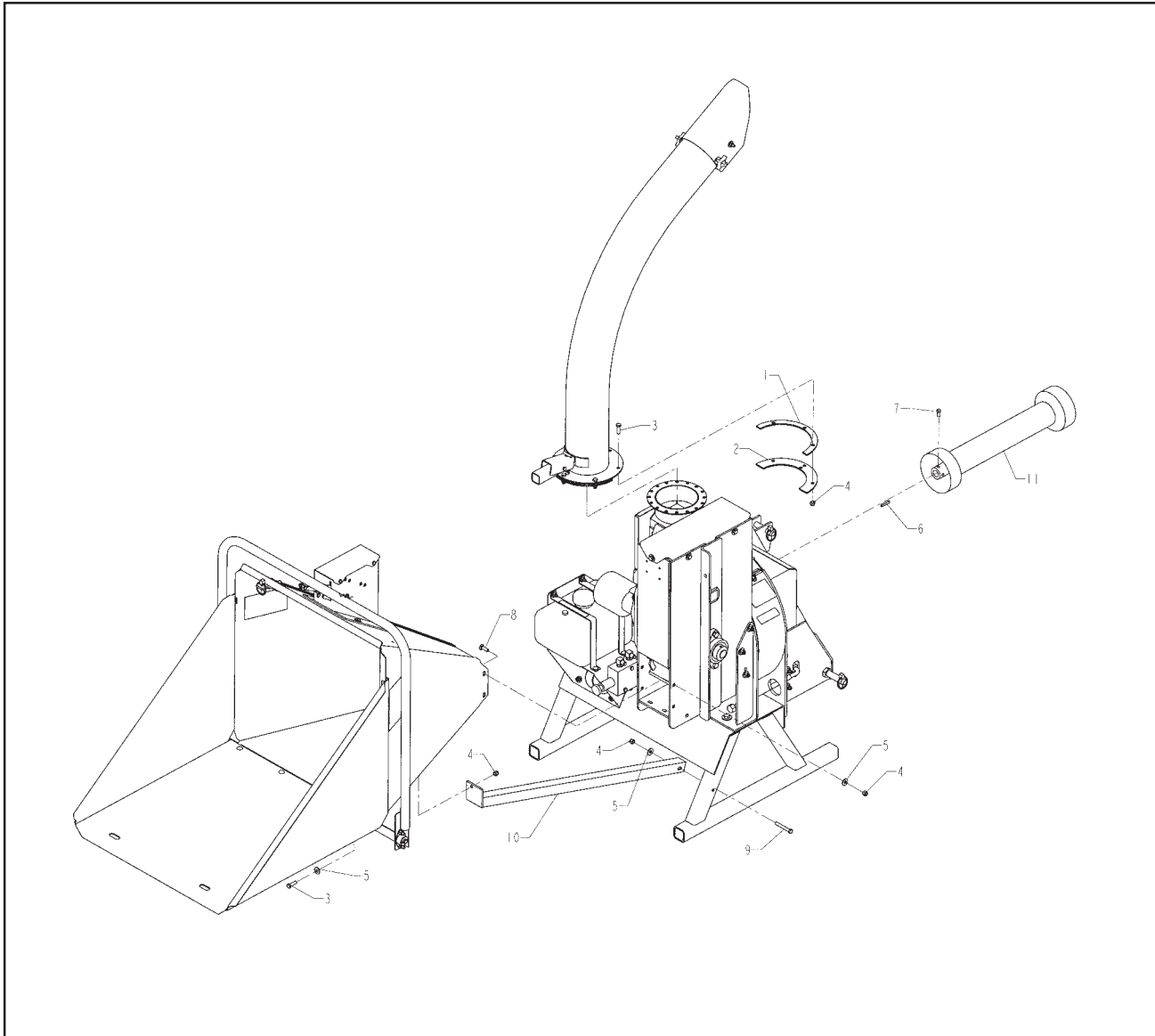
## Model 74554 Parts List

Ref.	Part #	Description	Qty	Ref.	Part #	Description	Qty
1.	11810	Adapter, -10MO/-8MJIC 90 deg.	1	58.	16016	Bushing, 1-1/2 SH	1
2.	12117	Bearing, 1-1/2 2-Bolt Flange	2	59.	16019	Pin, Lift	2
3.	12126	Sheave, 2B12.4 SK	1	60.	16020	Pin, Top Link	1
4.	12275	Zerk, 1/4 Grease	1	61.	16033	Decal, PTO Danger	1
5.	12437	Bushing, 1-1/4 SK	1	62.	16085	Decal, Knife Access	1
6.	12558	Motor, 33 CU. IN. Hydraulic	1	63.		Decal, Serial Number	1
7.	12626	Adapter, -10 M O-Ring x -8 MJIC	2	64.	16230	Pulley, 5.0 x 2/5 In. Idler	1
8.	12646	Valve, Hydraulic Control	1	65.	16460	Cap, Large Shaft	1
9.	12647	Adapter, -6 M O-Ring x -6 MJIC	1	66.	16558	Decal, Flying Debris	1
10.	12649	Adapter, -12MNPT x -6MJIC	2	67.	16588	Filter, Spin On	1
11.	12650	Adapter, -12 MO-Ring x -10MJIC	1	68.	16631	Hose Assy., -6MJ/-6MNPT x 20	1
12.	12658	Decal, Model 74554	1	69.	16682	Bearing, 1-1/4 2 Bolt Flange	4
13.	12660	Belt, 4L350	1	70.	16683	Coupler, 1-1/4 Shaft	1
14.	12661	Pump, PTO Hyd Feed	1	71.	16684	Hose Assy., -10 FMJ/-10FMJ	1
15.	12662	Pulley, 3.50 x 5/8 A	1	72.	16878	Tank, Oil Reservoir	1
16.	12663	Hose Assy., -8 FMJ/-6FMJ x 32	1	73.	16882	Decal, Oil Level	1
17.	12668	Sheave, 3B4.0 SH	1	74.	16897	Decal, Hydraulic Fluid	1
18.	12685	Hose Assy., -8 FMJ/-6FMJ x 21	2	75.	17055	Belt, BX 56	2
19.	12686	Hose Assy., -6FMJ/-6FMJ x 30	1	76.	17423	Decal, Shield Danger	1
20.	12689	Adapter, -6MNPT/-10 MJIC 90 deg.	1	77.	17692	Spring, Blower Drive	1
21.	12708	Adapter, -6MNPT/-6FMNPT 45	1	78.	17836	Decal, Bear Cat Picture	1
22.	15006	Bolt, 3/8" x 1" Hex HD	9	79.	17846	Decal, Caution	1
23.	15013	Bolt, 1/2" x 1-1/4" Hex HD	2	80.	17913	Decal, Small Bear Cat	1
24.	15014	Bolt, 1/2" x 1-1/2" Hex HD	6	81.	41158	Bushing, Pivot	2
25.	15015	Bolt, 1/2" x 2" Hex HD	18	82.	41289	Adapter, -6MO/ -6MJIC 90 deg.	3
26.	15017	Bolt, 1/2" x 4-1/2" Hex HD	1	83.	62531	Tube, 3/4 Idler	1
27.	15039	Washer, 1/4" Fender	2	84.	70290	Spacer, .75 x .90 IN.	2
28.	15031	Washer, 3/8" Flat	27	85.	70442	Wldmt., Joint Shield	1
29.	15034	Washer, 1/2" Flat	24	86.	70534	Spacer, .75 x .62	4
30.	15043	Nut, 1/2" Hex	2	87.	72493	Kit, Chipper Blade	1
31.	15049	Nut, 1/2" Centerlock	35	88.	71335	Shield, Coupler	1
32.	15051	Nut, 3/8" Serr Flng	4	89.	71347	Strap, Reservoir	2
33.	15058	Bolt, 3/8" x 1-1/2" Crg	2	90.	71964	Bearing, Roller Slide	2
34.	15154	Bolt, 5/16" x 2-1/2" Hex HD	2	91.	72411	Paddle, Big Chipper	4
35.	15137	Pin, 1/4" x 2" Spring	1	92.	72420	Anvil, 4" Chipper	1
36.	15141	Bolt, 3/8" x 1-3/4" Hex HD	1	93.	72433-12	Plate, Bearing Mount	2
37.	15205	Bolt, 3/8" x 5" Hex HD	1	94.	72444	Wldt., Chipper Disk	1
38.	15219	Bolt, 5/16" x 1" Hex HD	7	95.	72446-12	Wldt., Block Adjustor	1
39.	15250	Washer, 5/16" Flat	18	96.	72488	Assy., Chipper Top	1
40.	15342	Bolt, 1/4" x 1-1/2" Hex CPS GR 8	2	97.	72472	Jackshaft, PTO Chipper	1
41.	15349	Bolt, 5/16" x 7/8" Crg	8	98.	72473-35	Wldt., Chipper Hitch	1
42.	15356	Nut, 5/16" Nylock	11	99.	72497	Wldt., Belt Guard (incl. #61)	1
43.	15364	Bolt, 3/8" x 1-1/4" Hex HD	2	100.	72478-12	Wldt., PTO Stand	1
44.	15378	Bolt, 3/8" x 1-1/4" Crg	9	101.	72507-12	Wldt., Idler Arm	1
45.	15388	Nut, 3/8" Nylock	17	102.	72511	Spacer, .63 x 3.80	1
46.	15402	Nut, 5/16" x 18" Tinnerman	6	103.	72518-12	Cover, Jackshaft	1
47.	15418	Key, 1/4" x 1-1/2" Sq	1	104.	72889-35	Wldt., Roller Support	1
48.	15429	Bolt, 5/16" x 2" Eye	1	105.	72907-12	Wldt., Roller Slide	1
49.	15441	Key, 3/8" x 1/4" x 2"	1	106.	72911-12	Wldt., Top Grab Roller	1
50.	15461	Screw, 3/8" x 1/2" Set	4	107.	72915-35	Wldt., Top Roller Cover	1
51.	15478	Bolt, 1/2" x 1-3/4" Hex HD	4	108.	73075	Wldt., Chipper Frame (incl. #62,76)	1
52.	15481	Stud, 1/2" x 3" Threaded	2	109.	73032-12	Wldt., Reservoir Mount	1
53.	15498	Key, 5/16" x 1-3/4" Sq	2	110.	73036-12	Wldt., Pump Mount	1
54.	15565	Bolt, 5/16" x 1-1/4" Gr 8	8	111.	73043	Spacer, 1-3/4" x 3/16" x .109	1
55.	15571	Screw, 1/2" x 1-1/2" FLT HD SKT	2	112.	73044-12	Guard, Lower Belt	1
56.	15584	Washer, Flat 254 x 400 x 048	1	113.	12508	Fitting, 65 Degree Grease	1
57.	16015	Pin, 7/16" x 1-5/8" Lynch	3	114.	73087	Tube, Hyd Reservoir	1



# Model 74554 Parts Lists-Cont.

## Chipper Assembly Diagram



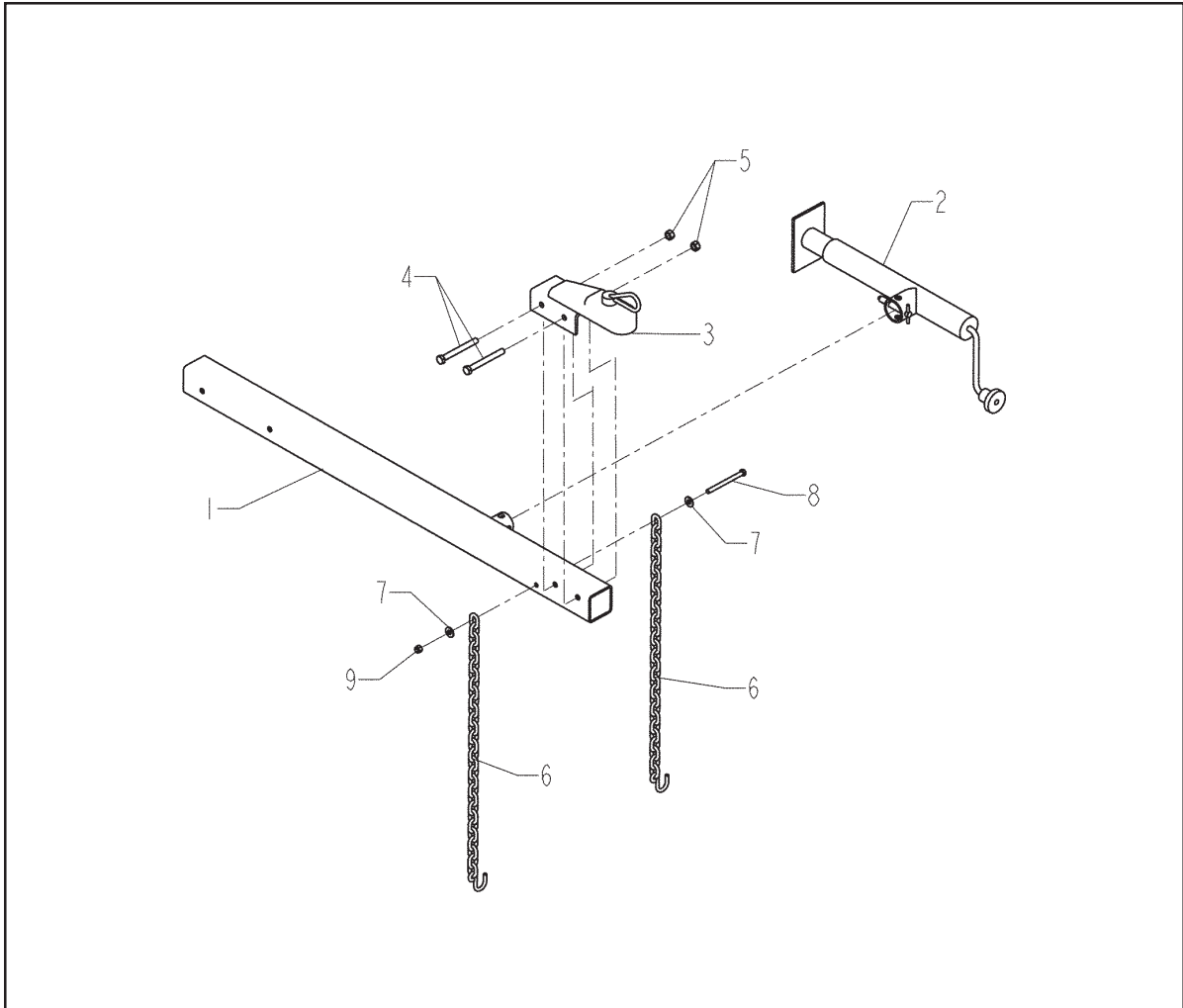
### Chipper Assembly Parts List

<u>Ref.</u>	<u>Part #</u>	<u>Description</u>	<u>Qty</u>
1.	72452-12	Spacer, Discharge Pivot	1
2.	72453-12	Ring, Discharge Clamp	1
3.	15364	Bolt, 3/8" x 1-1/4" HHCS GR5	3
4.	15388	Nut, 3/8" Nyl Insert	10
5.	15031	Washer, 3/8" Flat ZP	7
6.	15418	Key, Sq. 1/4" x 1-1/2"	1
7.	15256	Screw, 3/8" x 3/4" Set	2
8.	15378	Bolt, 3/8" x 1-14" Crg GR5	6
9.	15437	Bolt, 3/8" x 2-3/4" GR5	1
10.	73048-12	Wldt., Chute Support	1
11.	16961	Shaft, Chipper Drive	1



## Model 74520 Parts Lists

### Hitch Assembly Diagram



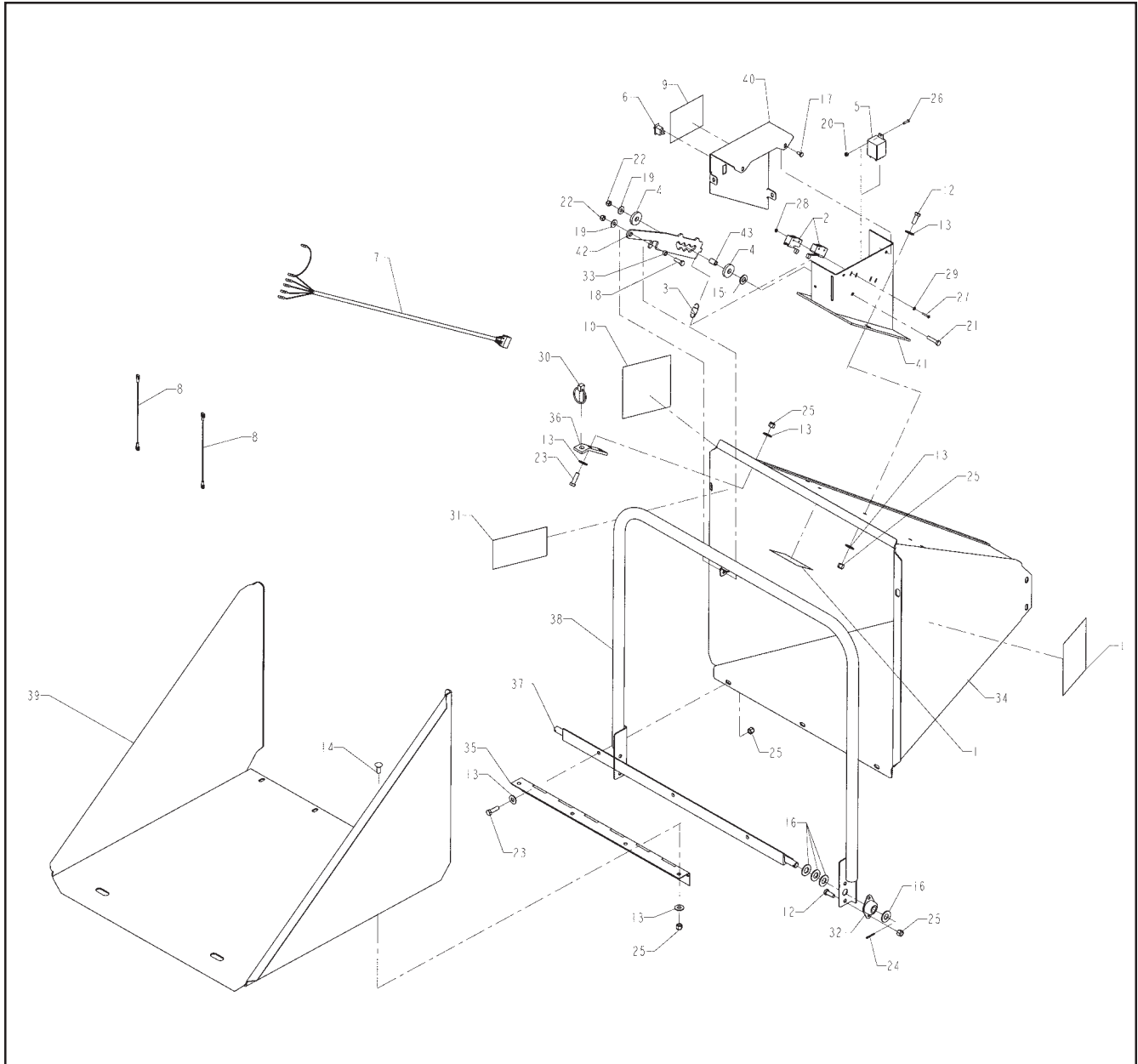
### Hitch Assembly Parts List

<u>Ref.</u>	<u>Part #</u>	<u>Description</u>	<u>Qty</u>
1.	73021-12	Wldmt., Hitch Pole	1
2.	12414	Jack, Round Screw	1
3.	12641	Coupler, 2" Adjustable	1
4.	15017	Bolt, 1/2" x 4-1/2" Hex HD	2
5.	15049	Nut, 1/2" Centerlock	2
6.	17994	Assy, Safety Chain	2
7.	15031	Washer, 3/8" Flat	2
8.	15274	Bolt, 3/8" x 4-1/2" Hex HD	1
9.	15388	Nut, 3/8" Nylock	1



# Models 74520 & 74554 Common Parts Lists

## Chute Assembly Diagram





## Models 74520 & 74554 Common Parts Lists

---

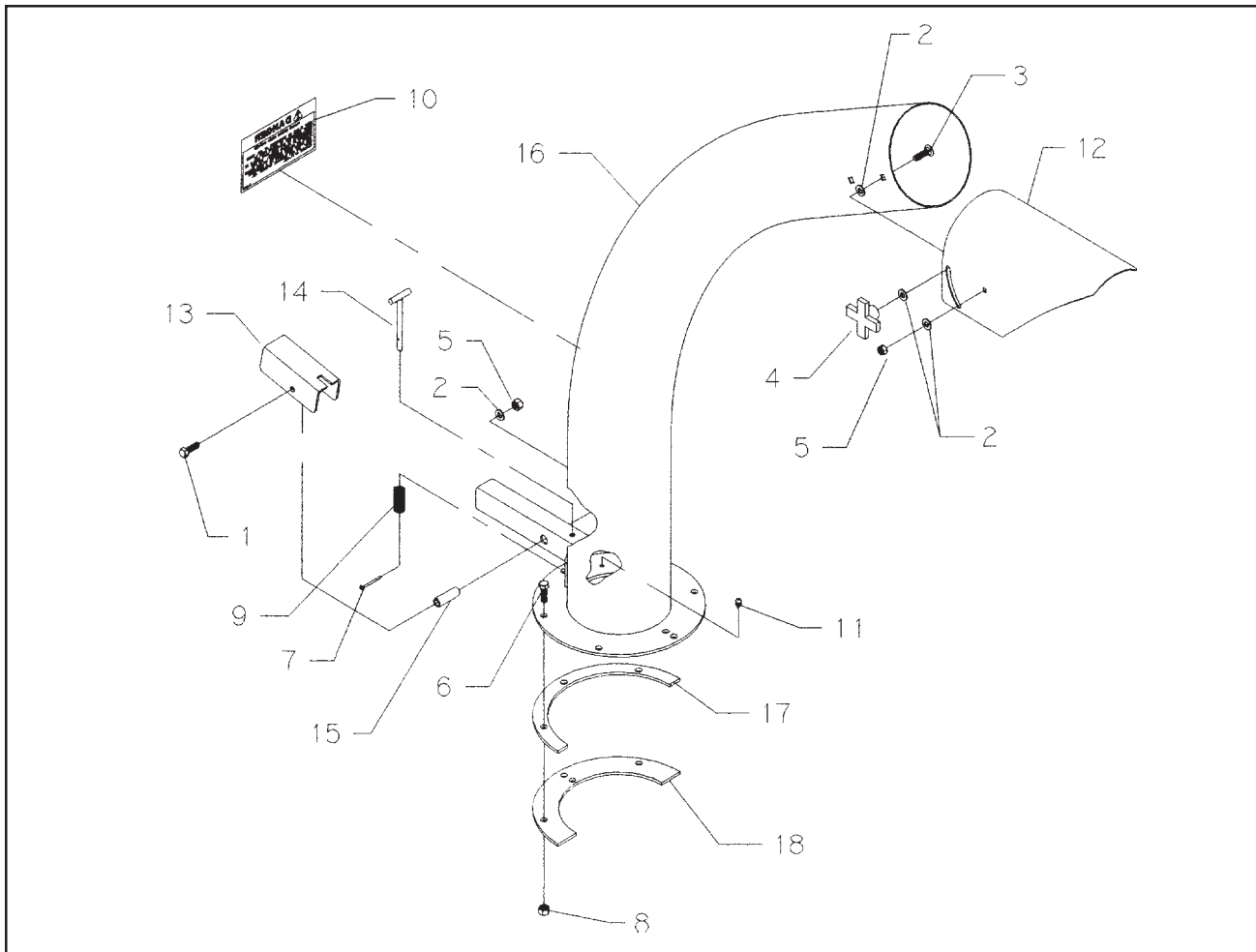
### Chute Assembly Parts List

<u>Ref.</u>	<u>Part #</u>	<u>Description</u>	<u>Qty</u>
1.	12010	Decal, Check Bolts	1
2.	12560	Switch, Hyd Feed	2
3.	12620	Spring, Control Bar	1
4.	12621	Washer, UHMW Spacer	2
5.	12675	Relay Control	1
6.	12682	Switch Relay Bypass	1
7.	12690	Harness, Chipper Chute (74520)	1
	12745	Harness, Chipper Chute (74554)	1
8.	12695	Wire, Switch	2
9.	12737	Decal, Auto Feed	1
10.	12747	Decal, Feed Position	1
11.	12748	Decal, Feed Position	1
12.	15006	Bolt, 3/8" x 1" Hex HD	6
13.	15031	Washer, 3/8" Flat	14
14.	15057	Bolt, 3/8" x 1" Crg.	4
15.	15097	Washer, 1/2" SAE Flat	1
16.	15129	Washer, 5/8" SAE Flat	8
17.	15179	Bolt, 1/4" x 1/2" HCS GR5 ZP	4
18.	15219	Bolt, 5/16" x 1" Hex HD	1
19.	15250	Washer, 5/16" Flat	3
20.	15255	Nut, #8 x 32 Nylock	2
21.	15282	Bolt, 5/16" x 1-1/2" Hex	1
22.	15356	Nut, 5/16" Nylock	2
23.	15364	Bolt, 3/8" x 1-1/4" Hex HD	4
24.	15375	Pin, 1/8" x 1" Cotter	2
25.	15388	Nut, 3/8" Nylock	14
26.	15550	SCW #8 x 32 x 3/4 PAN PHP ZP	2
27.	15600	SCW #6 x 32 x 3/4 PAN PHP ZP	4
28.	15601	Nut, #6 x 32 Hex	4
29.	15602	Washer, #6 SAE Flat	4
30.	16015	Pin, 7/16" x 1-5/8" Lynch	1
31.	17837	Decal, Danger	2
32.	17897	Bearing, 5/8 Flange	2
33.	69126	Spacer, Idler Pivot	1
34.	73074	Assy., Chipper Chute (incl. #10,11,31)	1
35.	72568-12	Hinge, Extension Chute	1
36.	72571-12	Strip, Chute Lock	1
37.	72917-12	Wldt., Control Pivot	1
38.	72919-12	Wldt., Control Arm	1
39.	72921-12	Wldt., Chute Extension Tray	1
40.	72923-12	Plate, Control Box	1
41.	72936-12	Wldt., Switch Mount	1
42.	72937-12	Bar, Switch Control	1
43.	73064	Spacer, .50 x .775	1



# Models 74520 & 74554 Common Parts Lists-Cont.

## Discharge Assembly Diagram



### Discharge Assembly Parts List

Ref.	Part #	Description	Qty
1.	15154	Bolt, 5/16 x 2-1/2" Hex HD	1
2.	15250	Washer, 5/16" Flat	9
3.	15301	Bolt, 5/16 x 1" CRG	4
4.	15321	Knob, 5/16" Spout	2
5.	15356	Nut, 5/16" Centerlock	3
6.	15364	Bolt, 3/8 x 1-1/4" Hex HD	3
7.	15375	Pin, 1/8 x 1" Cotter	1
8.	15388	Nut, 3/8" Nylock	3
9.	16556	Spring, Lock Compression	1
10.	16558	Decal, Discharge Danger	1
11.	12275	Grease Zerk, 1/4"	1
	15584	Washer, .254 x .048	1
12.	71081	Deflector, Discharge	1
13.	71252	Lever, Discharge Lock	1
14.	71253	Widmt, Lock Pin	1
15.	71256	Tube, Lock Pivot	1
16.	72487	Assembly, 6" Discharge (Includes Item #10)	1
17.	72452-12	Spacer, Discharge Pivot	1
18.	72453-12	Ring, Discharge Clamp	1



## Service Accessories

---

*Note: When ordering replacement parts, be sure to identify the Model and Serial number of the machine.*

Chipper Blade Kit #72493  
Includes four chipper blades and replacement bolts and nuts.



Belt, 2B70 (Engine Models) #16347

Belt, BX56 (PTO Models) #17055



### Safety Decals

- Decal, Caution Instructions #17846
- Decal, Knife Access Warning #16085
- Decal, Check Bolts Warning #12010
- Decal, Sheild Removed Danger #17423
- Decal, Chipper Clutch Warning #16551
- Decal, Rotating Cutter Blades Danger #17837
- Decal, Flying Debris Danger #16558
- Decal, PTO Danger #16033

Protective Eye Goggles #17842

Engine Spark Plug BPR6ES (NGK)

20hp Oil Filter (Honda part #15400-PR3-004) #12456

SAE 10W/30 Recommended Oil (general all-temperature use)  
(Capacity: 20hp- 1.59 US quarts with filter or 1.27 US quarts without)

# Chipper Limited Warranty

Crary Bear Cat Chipper models 74520 and 74554 are warranted for two years from date of sale for consumers and 90 days from the date of sale for Commercial or Rental operations.

Within the above stated period, Crary Co. will replace any part(s) found to be defective in material and/or workmanship, after the receipt of the part in our plant. Labor costs to replace these defective parts will be paid at a Crary established labor rate and time allowed (flat rate) for repair. All transportation charges incurred in shipping part(s) are the responsibility of the purchaser.

This warranty is void in the case of accidents, failure to perform normal maintenance, or failure to follow those instructions listed in the service manual. This warranty is also in lieu of all other expressed warranties and voids any implied warranty as to the merchantability or fitness of the product for a particular purpose and of any other obligation on the part of Crary Co. Some states do not allow limitations on how long the implied warranty lasts, so the above limitation may not apply to you.

This warranty applies only to parts or components which are defective, and does not cover necessary repair due to normal wear, misuse, accidents, or lack of proper maintenance. This includes belts, pulleys, and chipper blades. Regular routine maintenance of the unit to keep it in proper operating condition is the responsibility of the owner.

All warranty repair reimbursable under the Crary Co. warranty must be performed by an authorized Bear Cat service dealer using Bear Cat approved replacement parts. Repair or attempted repair by anyone other than an authorized Bear Cat service dealer is not reimbursable under the Crary Co. warranty. In addition, these unauthorized repair attempts may result in additional malfunction, the correction of which is not covered by warranty.

Crary Co. is not liable for indirect, incidental, or consequential damages in connection with the use of this product including any cost or expense or providing substitute equipment or service during periods of malfunction or non-use.

Some states do not allow the exclusion of incidental or consequential damages, so the above exclusion may not apply to you. This warranty gives you specific legal rights. You may also have other rights which vary from state to state.

Be sure to note the Chipper serial number in any correspondence with Crary Co. or any authorized Bear Cat dealer. The serial number is located on the rotor assembly cover.

## HEALTH WARNING

### GASOLINE, DIESEL, AND OTHER PETROLEUM PRODUCTS

Harmful or fatal if swallowed.

Long-term exposure to vapors has caused cancer in laboratory animals.

- Avoid prolonged breathing of vapors.
- Keep face away from nozzle and gas tank/container opening.
- Never siphon by mouth.

Failure to use caution may cause serious injury or illness.

## WARNING

CHEMICALS KNOWN TO THE STATE OF CALIFORNIA TO CAUSE CANCER, BIRTH DEFECTS, OR OTHER REPRODUCTIVE HARM ARE FOUND IN GASOLINE, DIESEL, CRUDE OIL, AND MANY OTHER PETROLEUM PRODUCTS AND THEIR VAPORS, OR RESULT FROM THEIR USE.

READ AND FOLLOW LABEL DIRECTIONS AND USE CARE WHEN HANDLING OR USING ALL PETROLEUM PRODUCTS.

ENGINE EXHAUST FROM THIS PRODUCT CONTAINS CHEMICALS KNOWN TO THE STATE OF CALIFORNIA TO CAUSE CANCER, BIRTH DEFECTS, OR OTHER REPRODUCTIVE HARM.



Box 849

West Fargo, ND 58078

(800) 247-7335 • FAX: (701) 282-9522

[www.crary.com](http://www.crary.com)

[Gardening Supply](#)

<a href="#"><u>Patio Barbecues</u></a>	<a href="#"><u>Outdoor Barbecues</u></a>	<a href="#"><u>Landmann Barbecues</u></a>	<a href="#"><u>Gas Barbecues UK</u></a>
<a href="#"><u>Charcoal Barbecues</u></a>	<a href="#"><u>Gas Barbecues</u></a>	<a href="#"><u>Cheap Gas Barbecues</u></a>	<a href="#"><u>Masonry Barbecues</u></a>
<a href="#"><u>Brush Cutters</u></a>	<a href="#"><u>Brushcutters</u></a>	<a href="#"><u>Blower Vacs</u></a>	<a href="#"><u>Chain Saws</u></a>
<a href="#"><u>Chainsaws</u></a>	<a href="#"><u>Cultivators</u></a>	<a href="#"><u>Cylinder Lawn Mowers</u></a>	<a href="#"><u>Echo Chainsaws</u></a>
<a href="#"><u>Echo Strimmers</u></a>	<a href="#"><u>Electric Chainsaws</u></a>	<a href="#"><u>Fertiliser Spreaders</u></a>	<a href="#"><u>Garden Blowers</u></a>
<a href="#"><u>Garden Rollers</u></a>	<a href="#"><u>Lawn Rollers</u></a>	<a href="#"><u>Garden Shredders</u></a>	<a href="#"><u>Garden Tractors</u></a>
<a href="#"><u>Garden Vacuums</u></a>	<a href="#"><u>Hayter Lawn Mowers</u></a>	<a href="#"><u>Hedge Cutters</u></a>	<a href="#"><u>Hedgecutters</u></a>
<a href="#"><u>Hover Mowers</u></a>	<a href="#"><u>Husqvarna chainsaws</u></a>	<a href="#"><u>Kawasaki Brush Cutters</u></a>	<a href="#"><u>Kawasaki</u></a>
<a href="#"><u>Lawn Mowers</u></a>	<a href="#"><u>Scarifiers</u></a>	<a href="#"><u>Lawn Tractors</u></a>	<a href="#"><u>Strimmers</u></a>
<a href="#"><u>Leaf Vacuums</u></a>	<a href="#"><u>Petrol Chainsaws</u></a>	<a href="#"><u>Petrol Hedge Cutters</u></a>	<a href="#"><u>Leaf Blowers</u></a>
<a href="#"><u>Ride on mowers</u></a>	<a href="#"><u>Rotary Mowers</u></a>	<a href="#"><u>Rotavators</u></a>	<a href="#"><u>Ride on lawn</u></a>
<a href="#"><u>Electric Garden</u></a>	<a href="#"><u>Petrol Garden</u></a>	<a href="#"><u>ALKO Garden Shredders</u></a>	<a href="#"><u>mowers</u></a>
<a href="#"><u>Shredders</u></a>	<a href="#"><u>shredders</u></a>	<a href="#"><u>Gas Patio Heaters</u></a>	<a href="#"><u>Ryobi Strimmers</u></a>
<a href="#"><u>Garden Patio Heaters</u></a>	<a href="#"><u>Outdoor Patio Heaters</u></a>	<a href="#"><u>Greenhouse Heaters</u></a>	<a href="#"><u>Cheap Garden</u></a>
<a href="#"><u>Patio Heater Covers</u></a>	<a href="#"><u>Garden Heaters</u></a>	<a href="#"><u>Table Top Patio Heaters</u></a>	<a href="#"><u>Shredders</u></a>
<a href="#"><u>Gas Greenhouse</u></a>	<a href="#"><u>Stainless Steel Patio</u></a>	<a href="#"><u>Kawasaki brushcutters</u></a>	<a href="#"><u>Patio Heaters</u></a>
<a href="#"><u>heaters</u></a>	<a href="#"><u>Heaters</u></a>	<a href="#"><u>Midgeater Plus</u></a>	<a href="#"><u>Green house</u></a>
<a href="#"><u>Grit Spreaders</u></a>	<a href="#"><u>Gardena Hedgecutters</u></a>		<a href="#"><u>heaters</u></a>
<a href="#"><u>Patio Heaters with</u></a>	<a href="#"><u>Christmas Gardening</u></a>		<a href="#"><u>Patio Heaters UK</u></a>
<a href="#"><u>Covers</u></a>	<a href="#"><u>Gifts</u></a>		<a href="#"><u>Petrol Strimmers</u></a>
<a href="#"><u>Cylinder Mowers</u></a>			<a href="#"><u>Barbecues</u></a>