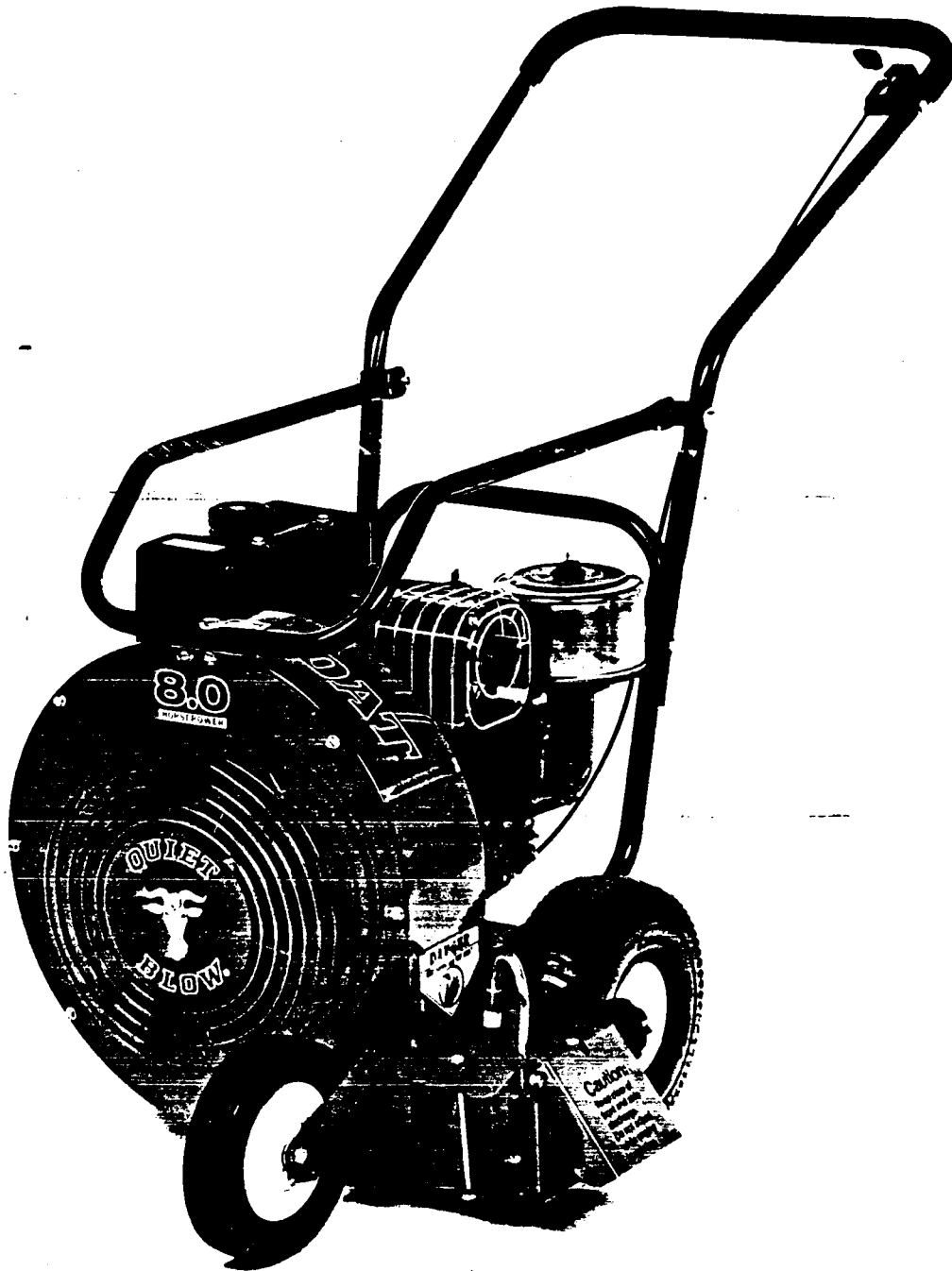


Quiet Blow[®]

THE QUIET BLOWER FROM BILLY GOAT[®]

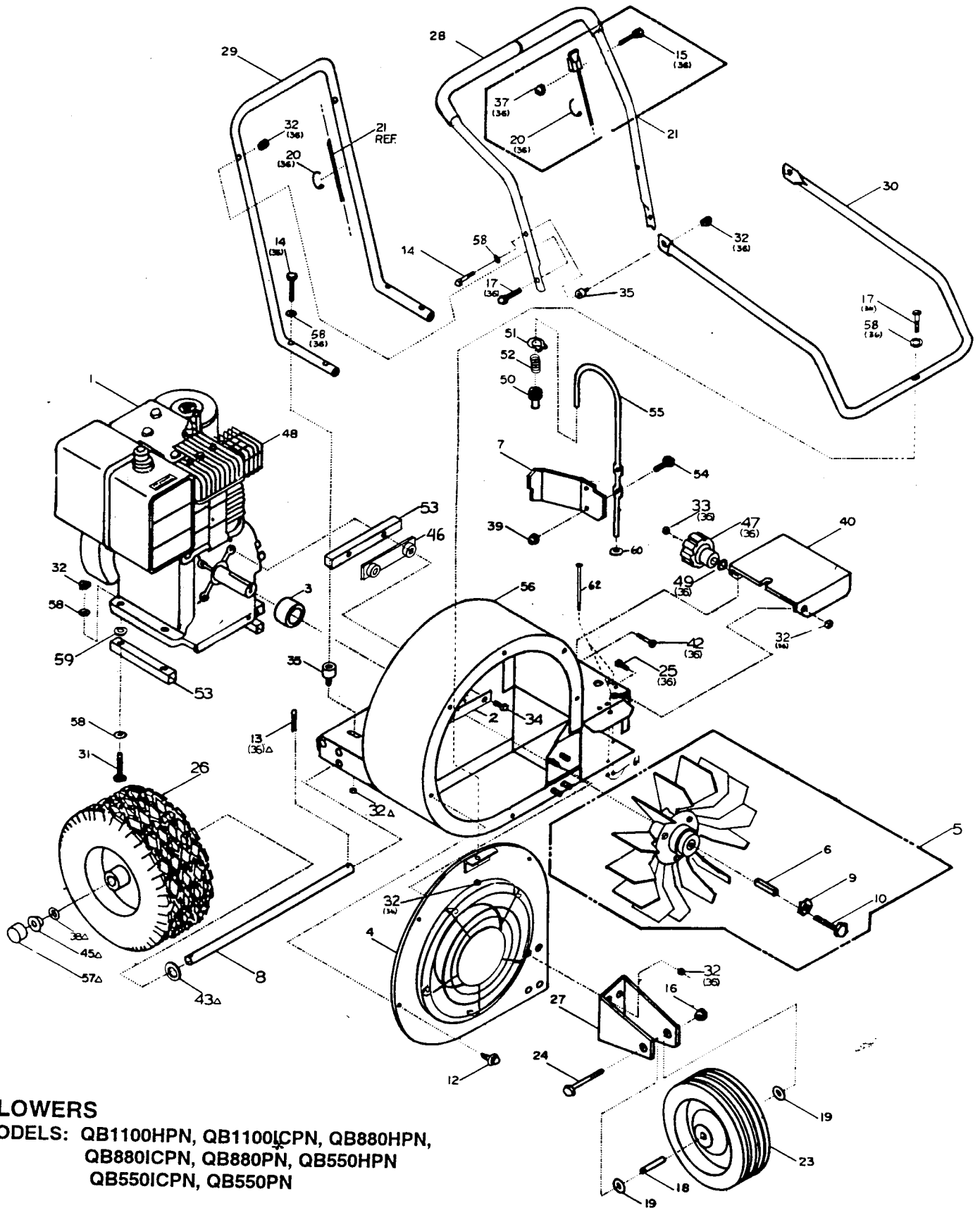


**BILLY
GOAT[®]**
INDUSTRIES, INC.



1803 S. Jefferson P.O. Box 308
Lee's Summit, MO 64063
(816) 524-9666 Fax (816) 524-6983

Lawn and Garden Debris Blower
QB1100HPN, QB1100ICPN, QB880HPN
QB880ICPN, QB880PN, QB550HPN,
QB550ICPN, QB550PN



BLOWERS

**MODELS: QB1100HPN, QB1100ICPN, QB880HPN,
 QB880ICPN, QB880PN, QB550HPN
 QB550ICPN, QB550PN**

		QB550PN		QB550HPN		QB880PN		QB880HPN		QB1100CPN		QB1100HPN
ITEM NO.	DESCRIPTION	PART NO.	QTY	PART NO.	QTY	PART NO.	QTY	PART NO.	QTY	PART NO.	QTY	PART NO.
1	ENGINE - 11 HP HONDA	-	-	-	-	-	-	-	-	-	-	400931
	ENGINE - 11 HP IC BRIGGS & STRATTON	-	-	-	-	-	-	-	-	400466	1	-
	ENGINE - 8 HP HONDA	-	-	-	-	-	-	400937	1	-	-	-
	ENGINE - 8 HP BRIGGS / IC BRIGGS	-	-	-	-	800136/800880	1	-	-	-	-	-
	ENGINE - 5.5 HP HONDA	-	-	600115	1	-	-	-	-	-	-	-
	ENGINE - 5 HP BRIGGS / IC BRIGGS	400220/400924	1	-	-	-	-	-	-	-	-	-
2	LOCK CLIP 5HP / 11HP	400218	1	400218	1	400591	1	400591	1	400591	1	400591
3	SPACER PVC	-	-	-	-	800910	1	800910	1	-	-	800910
4	PLATE FRONT W.A. & GRILL	400960	1	400960	1	400599	1	400599	1	400599	1	400599
5	IMPELLER ASS'Y	400966	1	400967	1	400965	1	400965	1	400965	1	400965
6	KEY SQUARE 1/4 X 2 - 1/4	*9201123	1	-	-	*9201123	1	*9201123	1	*9201123	1	*9201123
	KEY SQUARE 3/16 X 1 3/4	-	-	*9201084	1	-	-	-	-	-	-	-
7	DIVERTER PLATE	400334	1	400334	1	400334	1	400334	1	400334	1	400334
8	AXLE	400571	1	400571	1	400571	1	400571	1	400571	1	400571
9	LOCK WASHER 7/16 TWISTED TOOTH/ 3/8 TWISTED TOOTH (H)	400502	1	800177	1	850132	1	400502	1	850132	1	400502
10	CAPSCREW 7/16-20 x 1-1/4 HEX. HD GR. 5 (TORQUE 60 FT LBS)	-	-	-	-	800554	1	800554	1	800554	1	-
	CAPSCREW 3/8-24 x 1-1/2 HEX. HD GR. 8 (TORQUE 50 FT LBS)	-	-	-	-	-	-	-	-	-	-	900344
	CAPSCREW 3/8 - 24 x 1 HEX. HD GR. 8 (TORQUE 50FT LBS)	900154	1	-	-	-	-	-	-	-	-	-
	CAPSCREW 5/16-24x1-1/2 HEX. HD GR.5(TORQUE 25 FT LBS)	-	-	400164	1	-	-	-	-	-	-	-
11												
12	SHEET METAL SCREW 1/4 AB x 3/4 LG	*8122082	7	*8122082	7	*8122082	7	*8122082	7	*8122082	7	*8122082
13	COTTER PIN . 1/8 x 1	*8197031	2	*8197031	2	*8197031	2	*8197031	2	8197031	2	*8197031
14	SCREW - CAP 5/16 NC x 1 - 1/4	*8041029	6	*8041029	6	*8041029	6	*8041029	6	*8041029	6	*8041029
15	CAP SCREW 1/4 NC x 1-3/4	-	-	-	-	*8041009	1	*8041009	1	*8041009	1	*8041009
16	LOCK NUT 3/8 NC	*8160003	1	*8160003	1	*8160003	1	*8160003	1	*8160003	1	*8160003
17	CAP SCREW 5/16 NC x 1-1/2	*8041030	3	*8041030	3	*8041030	3	*8041030	3	*8041030	3	*8041030
18	SPACER WHEEL	400302	1	400302	1	400302	1	400302	1	400302	1	400302
19	WASHER 1/2 SAE	8172011	2	8172011	2	8172011	2	8172011	2	8172011	2	8172011
20	TY -RAP	-	-	-	-	900407	3	900407	3	900407	3	900407
21	THROTTLE CONTROL ASS'Y (INCLUDES ITEMS 15, 37, 20)	-	-	-	-	400429	1	400429	1	400429	1	400429
22												
23	WHEEL FRONT	400513	1	400513	1	400513	1	400513	1	400513	1	400513
24	CAP SCREW (FRONT AXLE) 3/8 NC x 3"	*8041058	1	*8041058	1	*8041058	1	*8041058	1	*8041058	1	*8041058
25	SCREW - CAP 5/16-18 NC x 3/4	*8041026	1	*8041026	1	*8041026	1	*8041026	1	*8041026	1	*8041026
26	WHEEL REAR	400295	2	400295	2	400295	2	400295	2	400295	2	400295
27	BRACKET (FRONT WHEEL)	400303	1	400303	1	400303	1	400303	1	400303	1	400303
28	HANDLE UPPER ASS'Y (INCLUDES GRIPS)	400957	1	400957	1	400957	1	400957	1	400957	1	400957
29	HANDLE LOWER	400950	1	400950	1	400950	1	400950	1	400950	1	400950
30	HANDLE - BRACE	400951	1	400951	1	400951	1	400951	1	400951	1	400951
31	CAP SCREW 5/16 -18 x 1-3/4	-	-	-	-	*8041031	4	*8041031	4	*8041031	4	*8041031
	CAP SCREW 5/16 -18 NC x 2- 3/4	*8041035	4	*8041035	4	-	-	-	-	-	-	-
32	LOCK NUT, 5/16 18 NC HEX	*8160002	18	*8160002	18	*8160002	18	*8160002	18	*8160002	18	*81610002
33	LOCK NUT 5/16-18 NC THIN HT	*8161041	1	*8161041	1	*8161041	1	*8161041	1	*8161041	1	*8161041
34	SCREW CAP 5/16 -24 NF x 1-1/2	-	-	*8042030	2	*8042030	2	-	-	-	-	*8042030
	SCREW CAP 5/16 -24 NF x 3/4	*8042026	2	-	-	-	-	-	-	*8042026	2	-
35	VIBRATION MOUNT	400173	6	400173	6	400173	6	400173	6	400173	6	400173
36	LOOSE PARTS ASS'Y (QTY) 14 (4), 32(6), 58 (5), 15(1), 37(1), 20(3), 17(3), 33(1), 42(1), 47(1), 49(1)	400567	1	400567	1	400567	1	400567	1	400567	1	400567
37	LOCK NUT 1/4" NC HEX	-	-	-	-	*8160001	1	*8160001	1	*8160001	1	*8160001
38	WASHER (0.765 1.0 x 1.25 OD x 0.06)	850238	2	850238	2	850238	2	850238	2	850238	2	850238
39	LOCK NUT NO 10-24 UNC	*8164005	2	*8164005	2	*8164005	2	*8164006	2	*8164005	2	*8164005
40	DEFLECTOR	400333	1	400333	1	400333	1	400333	1	400333	1	400333
41												
42	BOLT CARRIAGE 5/16 -18 x 1-3/4	*8024043	2	*8024043	2	*8024043	1	*8024043	1	*8024043	1	*8024043
43	WASHER - FLAT 3/4 S.A.E. (3/16 x 1-1/2 x 1/2)	*8172015	2	*8172015	2	*8172015	2	*8172015	2	*8172015	2	*8172015
44												
45	WASHER 3/4 - HUB CAP	850237	1	850237	1	850237	2	850237	2	850237	2	850237
46	SPACER W. A. HONDA 5.5	-	-	400940	1	-	-	-	-	-	-	-
47	KNOB	400339	1	400339	1	400339	1	400339	1	400339	1	400339
48	GUARD MUFFLER (COMES W/ ITEM 1)	NO	-	YES	-	400010	1	YES	-	YES	-	400933
49	WASHER LOCK 5/16 EXT, TOOTH	*8181008	1	*8181008	1	*8181008	1	*8181008	1	*8181008	1	*8181008
50	SPACER	400330	1	400330	1	400330	1	400330	1	400330	1	400330
51	GRIP RING	400340	1	400340	1	400340	1	400340	1	400340	1	400340
52	SPRING COMPRESSION	400332	1	400332	1	400332	1	400332	1	400332	1	400332
53	SPACER	400296	2	400296	1	400370	3	400370	1	-	-	400370
54	SCREW MACH NO. 10 -24 UNC x 5/8 HEX W. F.	*8059135	2	*8059135	2	*8059135	2	*8059135	2	*8059135	2	*8059135
55	ROD DIVERTER	400335	1	400335	1	400335	1	400335	1	400335	1	400335
56	FRAME ASS'Y (WITH LABELS)	400576	1	400576	1	400576	1	400576	1	400576	1	400576
57	HUB CAP	900486	2	900486	2	900486	2	900486	2	900486	2	900486
58	WASHER FLAT CUT 5/16 (3/8 ID x 7/8 OD x1/16)	*8171003	9	*8171003	9	*8171003	9	*8171003	9	*8171003	9	*8171003
59	WASHER FLAT CUT 3/8	*8171004	4	*8171004	4	-	-	-	-	-	-	-
60	WASHER -SAE 3/8 (13/32 x 13/16 x 3/32)	*8172009	1	*8172009	1	*8172009	1	*8172009	1	*8172009	1	*8172009
61	NUT LOCK WASHER FACE 1/4 NC	900455	2	900455	2	900455	2	900455	2	900455	2	900455
62	SCREW CAP 1/4 NC x 5 - 1/2 LG	*8041021	2	*8041021	2	*804121	2	*8041021	2	*8041021	2	*8041021

* STANDARD HARDWARE ITEM MAY BE PURCHASED LOCALLY

[Gardening Supply](#)

<u>Patio Barbecues</u>	<u>Outdoor Barbecues</u>	<u>Landmann Barbecues</u>	<u>Gas Barbecues UK</u>
<u>Charcoal Barbecues</u>	<u>Gas Barbecues</u>	<u>Cheap Gas Barbecues</u>	<u>Masonry Barbecues</u>
<u>Brush Cutters</u>	<u>Brushcutters</u>	<u>Blower Vacs</u>	<u>Chain Saws</u>
<u>Chainsaws</u>	<u>Cultivators</u>	<u>Cylinder Lawn Mowers</u>	<u>Echo Chainsaws</u>
<u>Echo Strimmers</u>	<u>Electric Chainsaws</u>	<u>Fertiliser Spreaders</u>	<u>Garden Blowers</u>
<u>Garden Rollers</u>	<u>Lawn Rollers</u>	<u>Garden Shredders</u>	<u>Garden Tractors</u>
<u>Garden Vacuums</u>	<u>Hayter Lawn Mowers</u>	<u>Hedge Cutters</u>	<u>Hedgecutters</u>
<u>Hover Mowers</u>	<u>Husqvarna chainsaws</u>	<u>Kawasaki Brush Cutters</u>	<u>Kawasaki</u>
<u>Lawn Mowers</u>	<u>Scarifiers</u>	<u>Lawn Tractors</u>	<u>Strimmers</u>
<u>Leaf Vacuums</u>	<u>Petrol Chainsaws</u>	<u>Petrol Hedge Cutters</u>	<u>Leaf Blowers</u>
<u>Ride on mowers</u>	<u>Rotary Mowers</u>	<u>Rotavators</u>	<u>Ride on lawn</u>
<u>Electric Garden</u>	<u>Petrol Garden</u>	<u>ALKO Garden Shredders</u>	<u>mowers</u>
<u>Shredders</u>	<u>shredders</u>	<u>Gas Patio Heaters</u>	<u>Ryobi Strimmers</u>
<u>Garden Patio Heaters</u>	<u>Outdoor Patio Heaters</u>	<u>Greenhouse Heaters</u>	<u>Cheap Garden</u>
<u>Patio Heater Covers</u>	<u>Garden Heaters</u>	<u>Table Top Patio Heaters</u>	<u>Shredders</u>
<u>Gas Greenhouse</u>	<u>Stainless Steel Patio</u>	<u>Kawasaki brushcutters</u>	<u>Patio Heaters</u>
<u>heaters</u>	<u>Heaters</u>	<u>Midgeater Plus</u>	<u>Green house</u>
<u>Grit Spreaders</u>	<u>Gardena Hedgecutters</u>		<u>heaters</u>
<u>Patio Heaters with</u>	<u>Christmas Gardening</u>		<u>Patio Heaters UK</u>
<u>Covers</u>	<u>Gifts</u>		<u>Petrol Strimmers</u>
<u>Cylinder Mowers</u>			<u>Barbecues</u>