

**BILLY
GOAT**
INDUSTRIES INC.

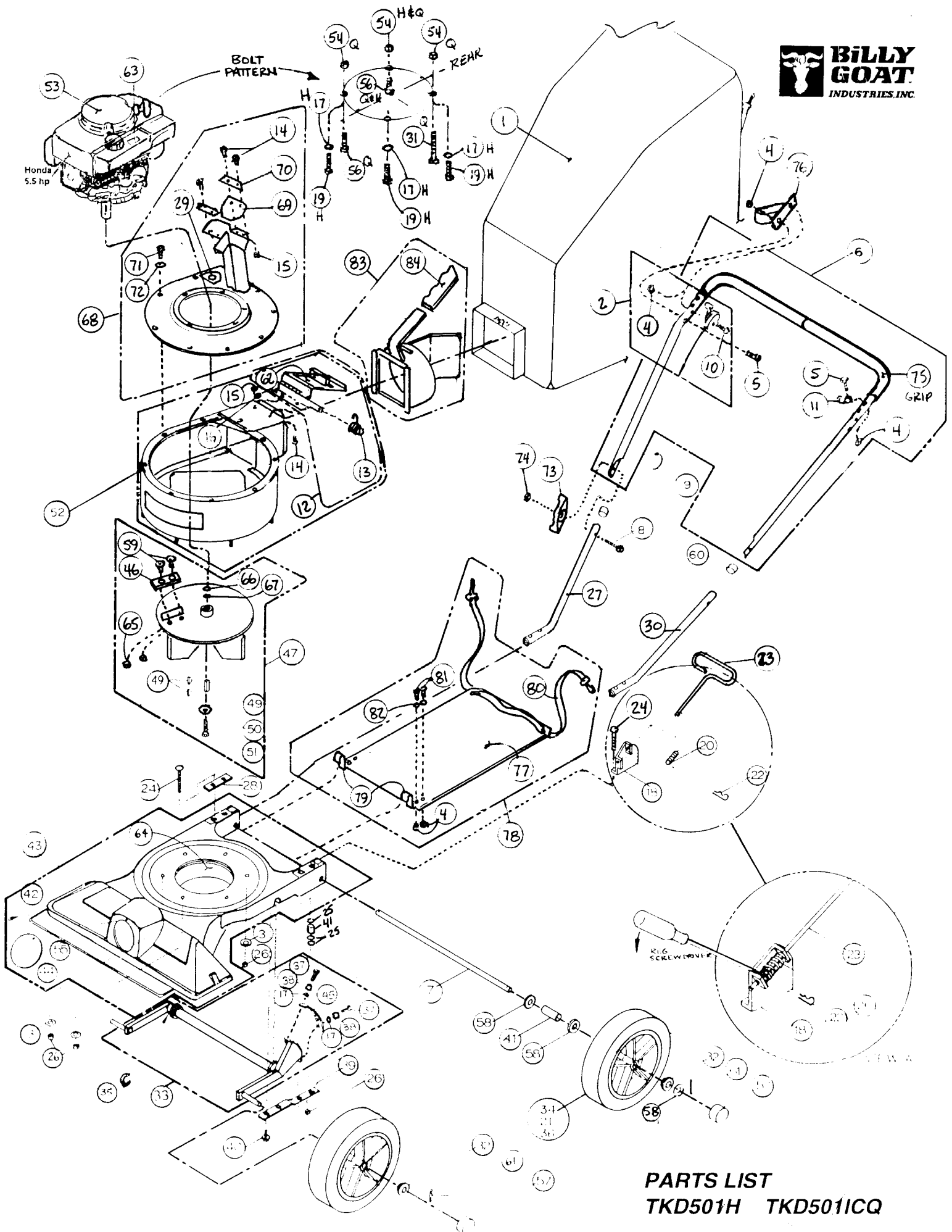


TED MITE

THE FIRST ALL-IN-ONE TURF VACUUM AND CHIPPER

VACUUM / CHIPPER

MODELS: TKD501H, TKD501ICQ



PARTS LIST
TKD501H TKD501CQ

REF NO.	DESCRIPTION	TKD50/H		TKD50/CO	
		PART NO.	QTY	PART NO.	QTY
1	DUST BAG (FELT) (RENTAL 900798) (incl. (2) of 4,5 & 11)	900805	1	900805	1
2	THROTTLE ASSEMBLY (INCL. 1 ea items 4, 5, 10)	850270-S	1	850270-S	1
3	WASHER - FLAT FENDER (11/32 x 1-1/4 x 0.05)	*8172020	6	*8172020	6
4	NUT LOCK (1/4 - 20)	*8160001	7	*8160001	6
5	SCREW CAP (1/4 - 20 x 1-1/2 HEX)	*8041008	4	*8041008	3
6	HANDLE ASS'Y (incl. 2 ea. 14, 5, 11 & 1 ea. of 10, 4, 5, 75 & 76)	890162	1	890162	1
7	AXLE REAR - PUSH	900925	1	900925	1
8	SCREW HANDLE 5/16 - 18 x 2-1/4	900547	2	900547	2
9	TY RAP (THROTTLE CABLE) 1" I.D.	900813	2	900813	2
10	SCREW CAP 1/4 - 20 x 2 HEX	*8041010	1	*8041010	1
11	ROD - BAG LOOP	800178	2	800178	2
12	DOOR EXHAUST ASS'Y (incl. items 13,14,15, 16)	890148	1	890148	1
13	SPRING DOOR EXHAUST	890142	1	890142	1
14	SCREW CAP #10 - 24 x 5/8	*8059135	6	*8059135	6
15	NUT LOCK #10 NC	*8164005	6	*8164005	6
16	WASHER #10 FC	*8171001	2	*8171001	2
17	WASHER LOCK 5/16 EXT. TOOTH	*8181008	5	*8181008	2
18	BRACKET - HEIGHT ADJUSTMENT	900932	1	900932	1
19	SCREW CAP 5/16 - 24 x 1"	400164	3	-	-
20	SPRING	900136	1	900136	1
21	TIRE - ONLY (PER ASSY)	900507	1	900507	1
22	PIN - HAIR COTTER	900471	1	900471	1
23	ROD SHORT HEIGHT ADJUSTMENT	890110	1	890110	1
24	BOLT - CARRIAGE 5/16 - 18 x 3-1/2	*8024050	4	*8024050	4
25	WASHER - FLAT 5/16 SAE	*8172008	12	*8172008	12
26	NUT LOCK 5/16 - 18 HEX	*8160002	12	*8160002	12
27	HANDLE STUB (R.H.) ASS'Y (incl. one item 60)	900911	1	900911	1
28	PLATE HANDLE SUPPORT	900933	1	900933	1
29	LABEL DANGER CUT FINGER	400424	2	400424	2
30	HANDLE STUB (L.H.) ASS'Y (incl. one item 60)	900912	1	900912	1
31	SCREW CAP 5/16 - 18 x 2-1/2	-	-	*8041034	1
32	WASHER HUB CAP 1/2 I.D.	900927	4	900927	4
33	AXLE FRONT MECH. ASSY	900749	1	900749	1
34	WHEEL ASS'Y CAST (incl. items 21, 36)	900509	4	900509	4
35	WASHER 0.75 "C"	900997	1-0	900997	1 0
36	BEARING ONLY (QTY PER WHEEL ASS'Y)	900498	2	900498	2
37	SCREW CAP 5/16 - 18 x 1"	*8041028	2	*8041028	2
38	SPACER 0.340" I.D. x 0.330" LG.	900745	2	900745	2
39	PLATE BRACE REAR	900905	2	900905	2
40	SCREW CAP 1/4 - 20 x 1/2	*8041002	4	*8041002	4
41	SPACER	900926	6	900926	6
42	SCREW SELF TAPPING 10 - 24 x 1/2	*8123086	1	*8123086	1
43	NOZZLE MAINFRAME ASS'Y (incl. one of items 44, 42, 55)	900931	1	900931	1
44	PLUG	900146	1	900146	1
45	PLATE QUAD. ADJUSTABLE	900746	1	900746	1
46	BLADE CHIPPER	890101	1	890101	1
47	IMPELLER ASS'Y (incl. items 46, 49, 50, 51, 66, 67)	890146-S	1	890144-S	1
48	LABEL CHIPPER	890152	1	890152	1
49	KEY 3/16 SQ. x 1.25	-	-	9201080	1
	KEY HI PRO 5/32 x 5/8	900162	2	-	-
50	WASHER LOCK 3/8 TWISTED TOOTH	400502	1	400502	1
51	SCREW CAP 3/8 - 24 x 1 (HARDENED) (TORQUE 50 FT-LBS)	900154	1	900154	1
52	HOUSING ASS'Y (incl. items 12, 13, 14, 15, 16, 62)	890155	1	890155	1
53	ENGINE HONDA 5.5 H.P.	900615	1	-	-
	ENGINE BRIGGS & STRATTON 5 H.P. QUANTUM IC	-	-	900273	1
54	NUT LOCK 5/16 - 18 HEX	*8160002	1	*8160002	2
55	ROD BUMPER	900939	1	900939	3
56	SCREW CAP 5/16 - 18 x 1-1/4	-	-	*8041029	2
	SCREW CAP 5/16 - 18 x 1-1/2	*8041030	1	-	-
57	CAP HUB	900486	4	900486	4
58	WASHER FLAT 1/2 SAE	*8172011	5	*8172011	5
59	SCREW SOCKET HD. 5/16 - 18 x 3/4 GR. 8	890103	2	890103	2
60	CAP END 1" ID	890132	2	890132	2
61	PIN COTTER 3/32 x 3/4	*8197016	4	*8197016	4
62	LABEL CAUTION HANDS AND FEET	900326	1	900326	1
63	LABEL DO NOT FILL WHEN ENGINE IS HOT	400268	1	400268	1
64	GUARD FOAM INSERT	900977	1	900977	1
65	NUT KEPS 5/16 - 18	890104	2	890104	2
66	WASHER SHIM 0.060"	890130	0-1	890130	0-1
67	WASHER SHIM 0.020"	890131	0-2	890131	0-2

(Continued)

* Denotes standard hardware item.

[Gardening Supply](#)

<u>Patio Barbecues</u>	<u>Outdoor Barbecues</u>	<u>Landmann Barbecues</u>	<u>Gas Barbecues UK</u>
<u>Charcoal Barbecues</u>	<u>Gas Barbecues</u>	<u>Cheap Gas Barbecues</u>	<u>Masonry Barbecues</u>
<u>Brush Cutters</u>	<u>Brushcutters</u>	<u>Blower Vacs</u>	<u>Chain Saws</u>
<u>Chainsaws</u>	<u>Cultivators</u>	<u>Cylinder Lawn Mowers</u>	<u>Echo Chainsaws</u>
<u>Echo Strimmers</u>	<u>Electric Chainsaws</u>	<u>Fertiliser Spreaders</u>	<u>Garden Blowers</u>
<u>Garden Rollers</u>	<u>Lawn Rollers</u>	<u>Garden Shredders</u>	<u>Garden Tractors</u>
<u>Garden Vacuums</u>	<u>Hayter Lawn Mowers</u>	<u>Hedge Cutters</u>	<u>Hedgecutters</u>
<u>Hover Mowers</u>	<u>Husqvarna chainsaws</u>	<u>Kawasaki Brush Cutters</u>	<u>Kawasaki</u>
<u>Lawn Mowers</u>	<u>Scarifiers</u>	<u>Lawn Tractors</u>	<u>Strimmers</u>
<u>Leaf Vacuums</u>	<u>Petrol Chainsaws</u>	<u>Petrol Hedge Cutters</u>	<u>Leaf Blowers</u>
<u>Ride on mowers</u>	<u>Rotary Mowers</u>	<u>Rotavators</u>	<u>Ride on lawn</u>
<u>Electric Garden</u>	<u>Petrol Garden</u>	<u>ALKO Garden Shredders</u>	<u>mowers</u>
<u>Shredders</u>	<u>shredders</u>	<u>Gas Patio Heaters</u>	<u>Ryobi Strimmers</u>
<u>Garden Patio Heaters</u>	<u>Outdoor Patio Heaters</u>	<u>Greenhouse Heaters</u>	<u>Cheap Garden</u>
<u>Patio Heater Covers</u>	<u>Garden Heaters</u>	<u>Table Top Patio Heaters</u>	<u>Shredders</u>
<u>Gas Greenhouse</u>	<u>Stainless Steel Patio</u>	<u>Kawasaki brushcutters</u>	<u>Patio Heaters</u>
<u>heaters</u>	<u>Heaters</u>	<u>Midgeater Plus</u>	<u>Green house</u>
<u>Grit Spreaders</u>	<u>Gardena Hedgecutters</u>		<u>heaters</u>
<u>Patio Heaters with</u>	<u>Christmas Gardening</u>		<u>Patio Heaters UK</u>
<u>Covers</u>	<u>Gifts</u>		<u>Petrol Strimmers</u>
<u>Cylinder Mowers</u>			<u>Barbecues</u>